



AirMist pneumatic atomizing nozzles

Full cone, gravity/siphon liquid supply, external mix

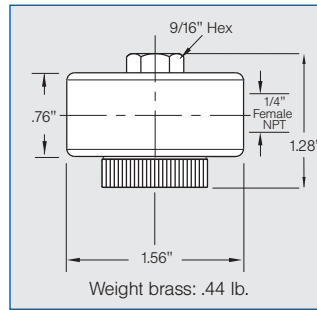
Series 136.3



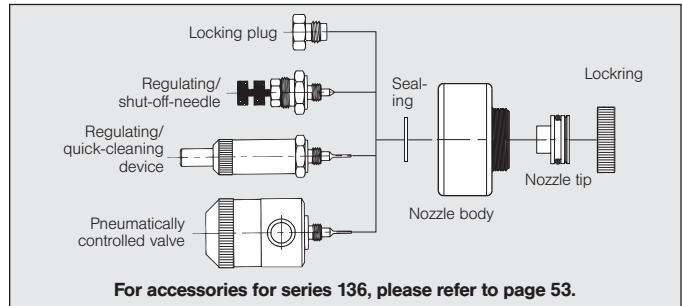
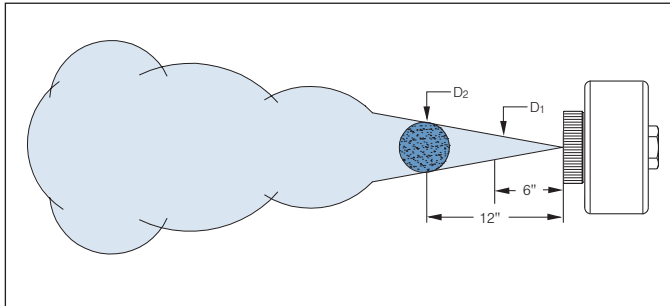
Particularly fine full cone atomization with air or gas.
Siphon principle.
External mixing of fluids.

Applications:

- Chemical industry
- Cooling
- Atomization of viscous liquids



Additional flow rate data available upon request. The body is also available in a rectangular design.



Pneumatic atomizing

Spray angle	Ordering no.		Maximum Free Passage (in.)	Flow Rate (Gallons Per Hour)										Spray Dimensions					
	Type	Mat. no.		Air Pressure psi	Air Capacity SCFM	Gravity Head			Siphon Height					Air psi	Siphon Height (in.)	D1 (in.)	D2 (in.)		
						6"	12"	18"	4"	8"	12"	24"	36"						
20°	136. 316. xx. B2	○	○	.016	9	10	.36	.35							20	12	2	4	
					20	17	.40	.44	.43	.30	.25	.17				46	12	2	5
					29	23	.44	.49	.47	.35	.31	.25				70	12	3	5
					46	32	.52	.55	.52	.44	.40	.36	.25	.13		87	12	3	5
					70	45	.59	.62	.60	.51	.49	.47	.40	.30					
	136. 324. xx. B2	○	○	.028	17	16				.82	.67	.49			17	12	2	5	
					26	22				.99	.85	.71			46	12	3	5	
					35	26				1.1	.99	.85	.37		70	12	3	5	
					46	32	1.5			1.3	1.1	1.0	.59		87	12	3	5	
					70	45	1.7	1.7	1.8	1.6	1.4	1.4	1.0	.51					
	136. 334. xx. B2	○	○	.028	12	20				.70	.60	.38	.00		12	12	3	5	
					26	33	1.4			1.1	1.0	.93	.57		46	12	3	5	
					35	41	1.5	1.7	1.8	1.3	1.2	1.1	.87	.38	70	12	3	5	
					46	51	1.7	1.8	1.9	1.5	1.4	1.3	1.1	.67	87	12	3	5	
					70	71	2.2	2.3	2.4	1.9	1.8	1.8	1.5	1.3					
	136. 342. xx. B2	○	○	.059	26	61				2.5	2.2	2.0	1.4	.90	26	12	3	5	
					35	75	3.2			2.7	2.5	2.3	1.8	1.4	44	12	3	5	
					44	88	3.2	3.5	3.7	2.8	2.7	2.5	2.0	1.7	61	12	3	5	
					55	106	3.3	3.5	3.7	3.0	2.9	2.8	2.5	2.2	87	12	3	5	
					61	116	3.5	3.7	3.8	3.2	3.1	3.0	2.8	2.6					
136. 351. xx. B2	○	○	.098	52	181				12	11		8.8		55	12	4	5		
				55	190				13	12	11	9.3		67	12	4	6		
				61	206				14	13	12	10	7.9	78	12	4	6		
				70	231		17		15	14	14	12	9.2	87	12	4	6		
				78	255	16	17	18	15	15	14	13	1.0						
87	278	16	17	17	15	14	14	12	9.8										

Example for ordering: Type 136. 324 xx. B2 + Material code (xx) = 1Y = Ordering no. = 136. 324. 1Y. B2

For accessories and spare parts, see page 53 of this section. For various configurations to mount your pneumatic air nozzles, see the Lances and Nozzle Headers section beginning on page 137.

