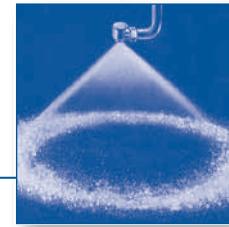




Hollow cone nozzles

Tangential-flow

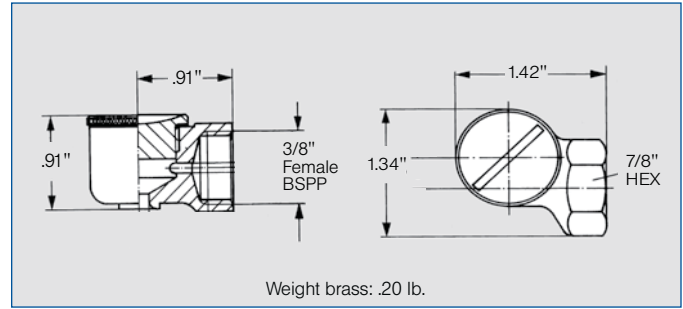
Series 302 / 304 / 306 / 307 Metal version



Uniform hollow cone spray.
Clog-resistant nozzle, without swirl insert

Applications:

- Humidification of air in air washers
- Dust control
- Spraying onto filters
- Foam control
- Cooling
- Tunnel coolers



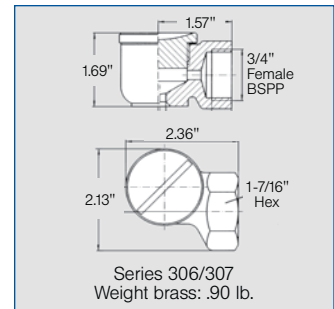
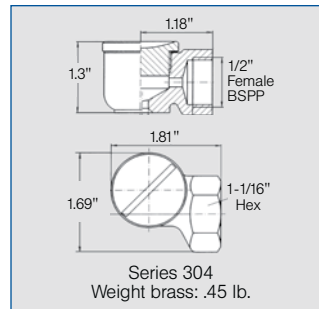
Spray angle	Ordering no.				Orifice diam. (in.)	Free Passage (in.)	Flow Rate (Gallons Per Minute)								Spray Diameter D (in.) @ 30 psi	
	Type	Mat. no.		Conn.			10 psi	20 psi	liters per minute 2 bar	30 psi	40 psi	60 psi	80 psi	100 psi	H=10"	H=20"
		316L SS 1Y	Brass 30													
60°	302.364	○	○	BF	.059	.059	.10	.14	.63	.17	.20	.24	.28	.31	8	14
	302.464	○	○	BF	.079	.079	.22	.31	1.40	.38	.43	.53	.61	.69	8	14
90°	302.606	○	○	BF	.181	.158	.49	.69	3.2	.86	.98	1.2	1.4	1.5	19	35
	302.368	○	○	BF	.118	.039	.10	.14	.63	.17	.20	.24	.28	.31	55	67
130°	302.468	○	○	BF	.197	.067	.22	.31	1.4	.38	.43	.53	.61	.69	55	67
	302.548	○	○	BF	.197	.099	.35	.49	2.2	.59	.70	.85	.98	1.1	55	71
	302.608	○	○	BF	.197	.138	.49	.69	3.2	.86	.98	1.2	1.4	1.5	55	71
	302.668	○	○	BF	.296	.142	.70	.99	4.5	1.2	1.4	1.7	2.0	2.2	59	79
	302.748	○	○	BF	.296	.189	1.1	1.6	7.1	1.9	2.2	2.7	3.1	3.5	59	79

Hollow cone

Uniform hollow cone spray.
Non-clogging nozzle, without swirl insert.

Applications:

- Cooling
- Protection of storage tanks
- Foam control



Spray angle	Ordering no.				Orifice diam. (in.)	Free Passage (in.)	Flow Rate (Gallons Per Minute)								Spray Diameter D (in.) @ 30 psi	
	Type	Mat. no.		Conn.			10 psi	20 psi	liters per minute 2 bar	30 psi	40 psi	60 psi	80 psi	100 psi	H=10"	H=20"
		316L SS 1Y	Brass 30													
90°	304.706	○	○	BH -	.201	.201	.87	1.2	5.6	1.5	1.7	2.1	2.5	2.7	18	30
	304.796	○	○	BH -	.351	.236	1.5	2.1	9.5	2.6	2.9	3.6	4.2	4.7	18	30
	306.906	○	○	- BL	.355	.355	2.8	3.9	18.0	4.8	5.6	6.8	7.9	8.8	19	33
	306.976	○	○	- BL	.532	.394	4.1	5.8	26.5	7.1	8.2	10.1	11.6	13.0	19	33
130°	304.818	○	○	BH -	.473	.197	1.6	2.3	10.6	2.9	3.3	4.0	4.7	5.2	55	71
	304.898	○	○	BH -	.473	.276	2.6	3.7	17.0	4.6	5.3	6.5	7.5	8.3	55	71
	306.978	○	○	- BL	.749	.288	4.1	5.8	26.5	7.1	8.2	10.1	11.6	13.0	57	95
	307.018	○	○	- BL	.749	.339	5.2	7.4	33.5	9.0	10.4	12.7	14.7	16.4	57	95

Example Type + Material no. + Conn. = Ordering no.
for ordering: 304.706 + 30 + BH = 304.706.30.BH

Adaptors are available but must be purchased from an outside source.

