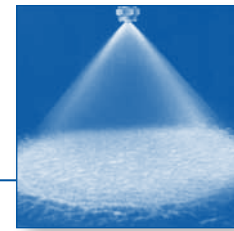




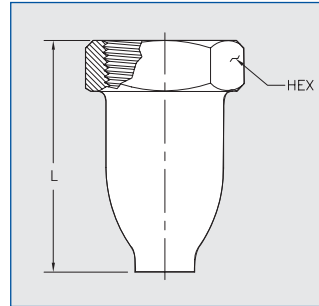
Full cone nozzles Axial-flow CenterJet™ Series 459



Turbine-style vane for uniform atomization and distribution.

Applications:

- Surface spraying
- Quench cooling
- Fire suppression
- Chemical processing



Dimensions (in.)			
Inlet (Female NPT)	L	HEX	Wt. (lb.)
1-1/2	4.31	2-3/16	1.8
2	5.45	2-3/4	2.4
2-1/2	6.00	3-1/4	4.18
3	6.89	3-7/8	6.0

Ordering no.			Orifice diam. (in.)	Flow Rate (Gallons Per Minute)								Spray Angle in degrees @ 40 psi (* = 15 psi)			
Type	Mat. no. 316 SS 17	Connection Female NPT				liters per minute									
		1 1/2"		2"	2 1/2"	3"	5 psi	10 psi	20 psi	2 bar	40 psi		60 psi	80 psi	100 psi
STANDARD ANGLE															
459.244	○	BS	-	-	-	.500	14	20	27	124	38	47	54	60	62
459.284	○	BS	-	-	-	.625	18	25	36	165	50	62	71	79	62
459.355	○	BS	-	-	-	.687	26	37	52	233	72	86	100	112	70
459.356	○	BS	-	-	-	.687	26	37	52	233	72	86	100	112	84
459.343	○	-	BW	-	-	.500	25	35	48	222	68	82	94	105	43
459.365	○	-	BW	-	-	.656	28	39	53	242	72	86	98	110	*80
459.415	○	-	BW	-	-	.796	38	53	74	339	105	125	144	160	66
459.455	○	-	BW	-	-	.906	48	68	95	434	132	160	183	205	68
459.475	○	-	-	BZ	-	.910	54	75	104	475	143	172	200	221	83
459.515	○	-	-	BZ	-	1.06	68	94	132	603	185	225	260	290	67
459.584	○	-	-	-	MB	1.31	103	144	200	925	285	345	400	440	57
WIDE ANGLE															
459.238	○	BS	-	-	-	.562	15	20	27	124	37	45	51	56	120
459.266	○	BS	-	-	-	.500	14	19	26	117	35	42	48	53	98
459.286	○	BS	-	-	-	.625	18	25	36	165	50	62	71	79	94
459.288	○	BS	-	-	-	.625	19	26	36	162	49	58	66	73	120
459.348	○	BS	-	-	-	.781	26	36	49	226	69	83	95	105	120
459.378	○	-	BW	-	-	.781	33	45	61	273	82	98	110	122	118
459.386	○	-	BW	-	-	.796	37	50	68	311	92	111	129	141	*99
459.408	○	-	BW	-	-	.937	40	55	74	332	100	118	135	147	118
459.488	○	-	-	BZ	-	1.03	64	86	117	521	157	187	212	232	119
459.496	○	-	-	BZ	-	0.98	63	87	119	543	165	200	233	259	*86
459.575	○	-	-	-	MB	1.31	110	150	205	938	275	330	380	421	*90
459.608	○	-	-	-	MB	1.63	146	200	274	1255	372	450	520	590	120

This product line is also available in larger capacities with inlets up to 6" in size. Please contact Lechler if you have an application requiring a larger size.

Example Type + Material no. + Conn. = Ordering no.
for ordering: 459.455 + 17 + BW = 459.455.17.BW

Full cone