



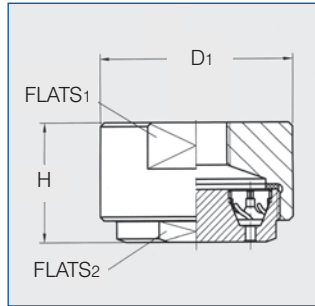
Full cone nozzles Cluster head Series 502 / 503



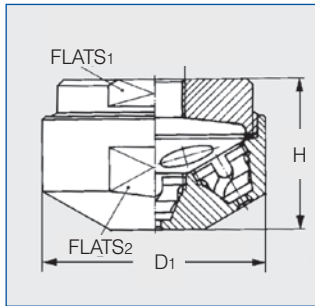
Each unit uses seven individual hollow cone orifices to generate small droplets. Sprays overlap into one wide angle full cone pattern.

Applications:

- Gas cooling
- Steam de-superheating
- Chemical reactors



70° Version Dimensions (in.)		
	1/2"	3/4"
FLATS1	1.8	2.6
FLATS2	1.5	2.2
H	1.0	1.8
D	2.0	3.0
Weight (Brass)	.55 lb.	1.92 lb.

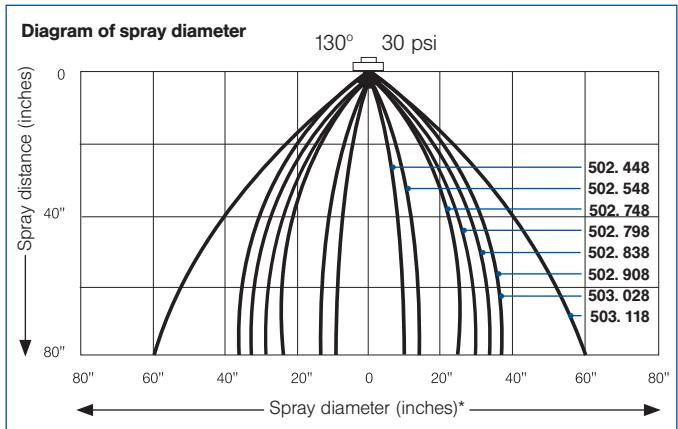
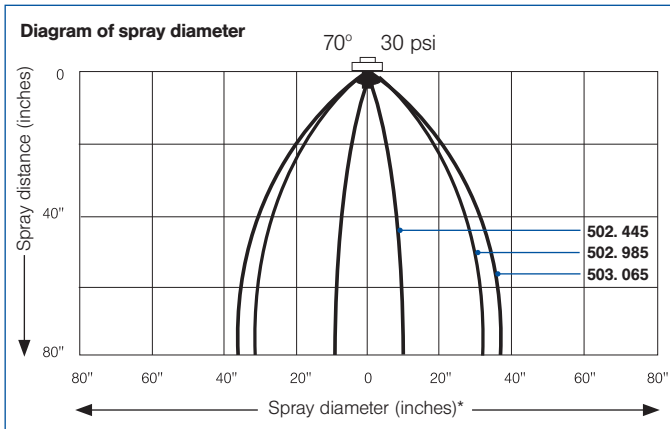


130° Version Dimensions (in.)		
	1/2"	3/4"
FLATS1	1.1	2.0
FLATS2	1.4	2.2
H	1.1	2.1
D	1.6	2.4
Weight (Brass)	.33 lb.	.90 lb.

Spray angle	Ordering no.				Orifice diam. (in.)	Free passage (in.)	Flow Rate (Gallons Per Minute)								Spray Diam. D (in.) @ 30 psi	
	Type	Material no.		Connection			10 psi	20 psi	liters per minute 2 bar	30 psi	40 psi	60 psi	80 psi	100 psi	H=40"	H=80"
		316 SS 17	Brass 30													
70°	502. 445	-	○	BH -	.039	.020	.19	.27	1.3	.35	.39	.48	.55	.61	16	16
	502. 985	○	-	- BL	.138	.079	4.3	6.1	28	7.5	8.7	10.6	12.3	13.7	47	59
	503. 065	○	-	- BL	.197	.079	7.0	9.9	45	12.1	14.0	17.1	19.8	22	47	70
	503. 115	○	○	- BL	.236	.079	9.2	13.1	60	16.1	18.7	23	26	29	51	78
130°	502. 448	○	○	BH BL	.039	.020	.19	.27	1.3	.35	.39	.48	.55	.61	20	20
	502. 548	○	○	BH BL	.071	.020	.35	.49	2.2	.59	.70	.86	.99	1.1	27	27
	502. 588	○	○	- BL	.039	.039	1.6	2.3	2.8	.87	.87	1.1	1.2	1.4	32	35
	502. 748	○	○	- BL	.079	.079	1.2	1.6	7.1	1.9	2.2	2.7	3.1	3.5	43	47
	502. 798	○	-	- BL	.099	.079	1.5	2.1	9.5	2.6	3.0	3.6	4.2	4.7	47	51
	502. 838	○	○	- BL	.118	.079	1.8	2.6	11.8	3.2	3.7	4.5	5.2	5.8	55	63
	502. 908	○	○	- BL	.158	.079	2.8	3.9	18.0	4.8	5.6	6.8	7.9	8.8	59	70
	503. 028	○	○	- BL	.158	.079	5.5	7.7	36	9.7	11.0	13.5	15.6	17.4	63	70
	503. 118	○	○	- BL	.236	.079	9.2	13.1	60	16.1	18.7	23	26	29	79	118

Full cone

Example Type + Material no. + Conn. = Ordering no.
for ordering: 503. 028 + 17 + BL = 503. 028. 17. BL



* Spray diameter coordinates represent distance from zero (0) coordinate. For each curve, add both coordinate values to obtain spray diameter.

Conversion formula for the above series: $V_2 = V_1 \sqrt{\frac{P_2}{P_1}}$
(See page 12 for symbol definitions.)

