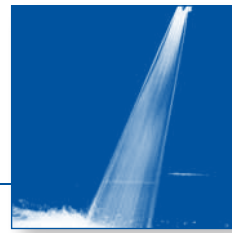




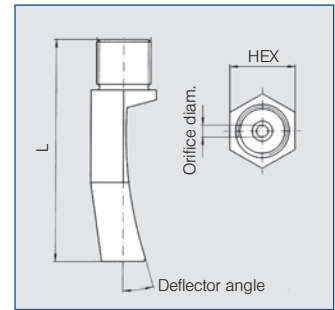
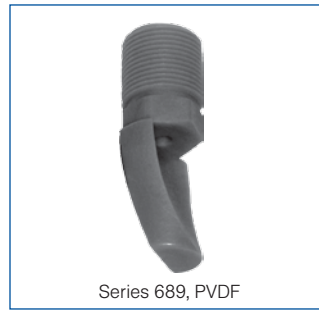
# Flat fan nozzles Tongue-type impactor deflector Series 688 / 689



**Deflector design provides clog resistance and high impact at low pressures. Even distribution.**

**Applications:**

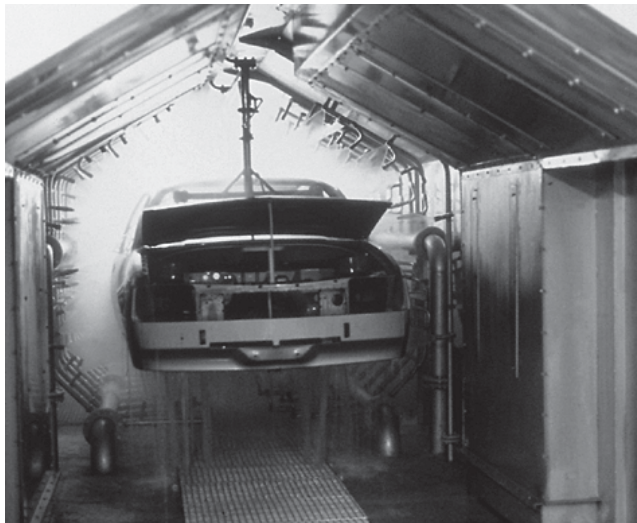
- Heavy impact washing
- Drum filter cleaning
- Knock-off showers
- Phosphating lines



Spray angle	Deflector angle	Ordering no.				Orifice diam. (in.)	Flow Rate (Gallons Per Minute)								Dimensions (in.)		Weight 303 SS (lb.)	Spray Width B (in.) @ 30 psi		
		Type	Material no.		Connection		10 psi		20 psi		60 psi		100 psi		L	Hex		H=10"	H=20"	
			303 SS 16	PVDF 5E	Male NPT 3/8" 3/4"		liters per minute	liters per minute	liters per minute	liters per minute	liters per minute	liters per minute								
45°	35°	688. 763	○	-	BE	-	.118	1.2	1.8	8.0	2.1	2.5	3.0	3.5	3.9	1.7	3/4	.25	9	17
	30°	688. 843	○	-	BE	-	.150	1.9	2.7	12.5	3.4	3.9	4.8	5.5	6.1	2.0	3/4	.29	9	17
	29°	688. 923	○	-	BE	-	.189	3.1	4.4	20	5.4	6.2	7.6	8.8	9.8	2.3	7/8	.54	9	17
	35°	689. 003	○	○	-	BK	.236	4.9	6.9	32	8.6	9.8	12.0	13.8	15.5	3.1	1-1/4	.67	10	19
															3.1*	15/16*	.07*			

\* Measurement for PVDF model

<b>Example</b>	<b>Type</b>	<b>+</b>	<b>Material no.</b>	<b>+</b>	<b>Conn.</b>	<b>=</b>	<b>Ordering no.</b>
<b>for ordering:</b>	688. 923	+	16	+	BE	=	688. 923. 16. BE



Phosphating line

A listing of alternatives for various assembly possibilities is shown in the Accessories section beginning on page 123.

Conversion formula for the above series:  $V_2 = V_1 \sqrt{\frac{P_2}{P_1}}$   
(See page 12 for symbol definitions.)

