



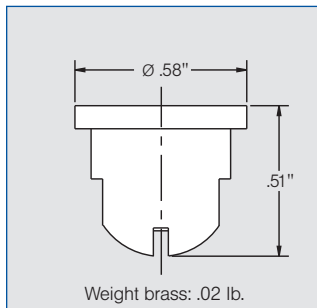
# Air nozzle tips

## Series 679

Designed specifically to create a wide spray angle flat fan, with air or steam. Orifice size options allow for varying SCFM output for the same air input psi. For use with nozzle base and cap.

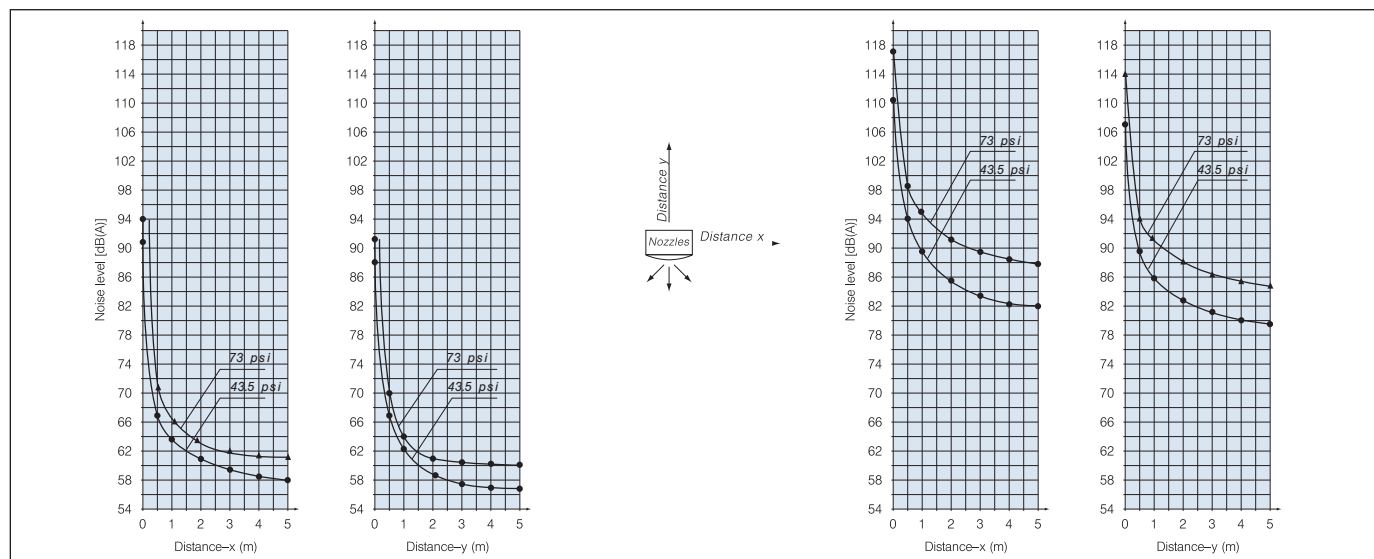
### Applications:

- Strip and web drying
- Liquid blow-off
- Chip removal



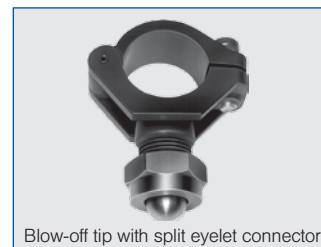
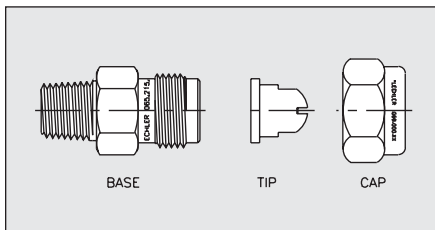
Spray angle	Ordering no.			Equiv. Orifice diam. (in.)	Capacity for Air (Standard Cubic Feet per Minute)				Capacity for Saturated Steam (lb/hr)			
	Type	Mat. no.			7 psi	29 psi	73 psi	145 psi	7 psi	29 psi	73 psi	145 psi
		316 SS	Brass									
70°	679. 037	-	○	.047	.9	1.8	3.5	6.5	2.6	5.1	10.1	18.3
	679. 085	○	○	.051	1.2	2.4	4.7	8.7	3.5	6.8	13.4	24.4
	679. 117	○	○	.059	1.2	2.5	4.9	9.1	3.8	7.3	14.3	25.8
	679. 165	○	○	.071	1.5	3.0	6.1	11.1	4.4	9.0	17.6	31.5
	679. 255	○	○	.083	2.1	4.3	8.5	15.7	6.2	12.6	24.7	44.5
	679. 365	○	○	.110	3.7	7.5	15.0	27.4	11.0	22.0	43.1	77.7
	679. 415	○	○	.142	6.0	12.0	24.0	43.9	17.6	35.1	69.1	124.8
	679. 495	○	○	.169	9.2	18.3	36.6	67.1	27.3	54.6	106.8	192.6

**Example for ordering:** Type 679. 255 + Material no. 17 = Ordering no. 679. 255. 17



### Bases and Cap for Mounting

Inlet Male NPT	Outlet Male	Part No.	Standard Materials: 17 316 SS 30 Brass
1/4"	11/16 x 16	065. 215. XX. 10	
3/8"	11/16 x 16	065. 211. XX. 10	
Cap			Other materials are available. See page 123.
To fit 11/16x16		069. 000. XX. 00	



Blow-off tip with split eyelet connector

A listing of alternatives for various assembly possibilities is shown in the Accessories section beginning on page 123.