



## Air or saturated steam nozzles

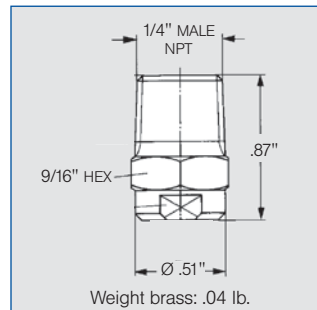
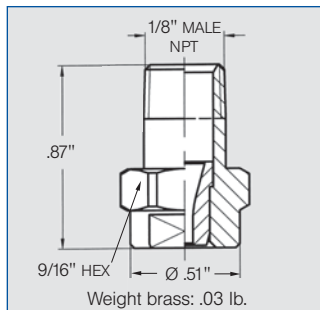
### Solid stream

### Series 544

**Powerful air jet, producing small but targeted impact patterns.**

**Applications:**

- Targeted blowing out and blowing off



Ordering no.			Orifice diam. (in.)	Capacity for Air (Standard Cubic Feet per Minute)				Capacity for Saturated Steam (lb/hr)			
Type	Mat. no.	Conn.		10 psi	25 psi	50 psi	75 psi	10 psi	25 psi	50 psi	75 psi
544.360	○	BA BC	.041	.5	.6	.9	1.3	1.4	2.4	5.8	5.0
544.400	○	BA BC	.051	.6	1.0	1.6	2.3	2.4	6.1	8.3	8.4
544.480	○	BA BC	.052	.8	1.4	2.1	3.0	3.6	5.6	9.0	13
544.560	○	BA BC	.065	1.2	2.2	3.5	4.8	5.3	8.2	13	19
544.640	○	BA BC	.082	2.1	3.4	5.5	7.7	9.5	15	22	32
544.720	○	BA BC	.104	3.8	5.7	9.7	13	15	20	32	45
544.800	○	BA BC	.130	5.9	9.1	15	20	21	33	54	75

**Example**    **Type**    +    **Material no.**    +    **Conn.**    =    **Ordering no.**  
**for ordering:**    544.360    +    16                    +    BC            =    544.360.16.BC

A listing of alternatives for various assembly possibilities is shown in the Accessories section beginning on page 123.