

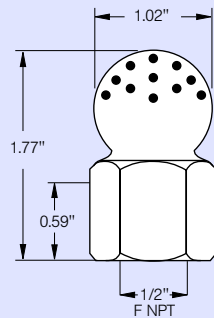
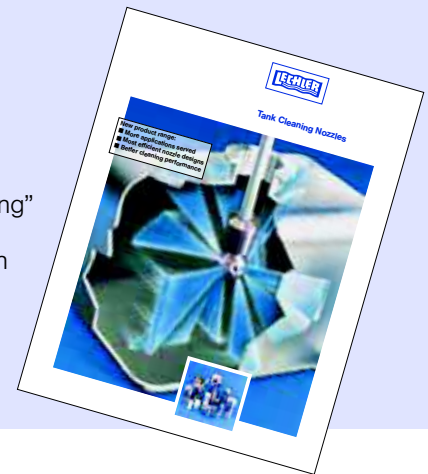
Tank and container cleaning nozzles



Lechler tank and container cleaning nozzles serve not only for cleaning plant-protectant tanks, but also for similar uses in other areas of agriculture, e.g.:

- dairy farming
- cleaning of beverage tanks

For further information on tank cleaning, please consult our "Tank cleaning" brochure, which we will be happy to send you on request.



Cluster solid jet tank and container cleaning nozzle

Spray angle: 240°
Material: Stainless Steel

Features

- Cluster solid jet nozzle
- Best performance range 45-60 psi
- Very compact static spray ball
- Sharp solid jets, excellent for rinsing small drums
- Flushing duration: 20-30 seconds

Range of application

Flushing and cleaning tanks up to 60" in diameter
Cleaning small tanks and containers

	Order no.	gal/min				
		30 psi	45 psi	60 psi	75 psi	150 psi
240°	540.909.16 ¹⁾	4.76	5.81	6.71	7.50	10.6
	540.989.16 ¹⁾	7.40	9.06	10.5	11.7	16.5
	541.109.16	15.1	18.4	21.3	23.8	33.7

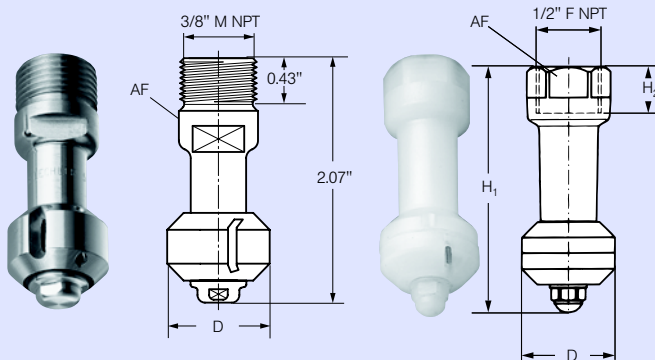
1) also available in PVC

Recommendation:

For tanks up to 3 gallons: type 540.909.XX
For tanks larger than 3 gallons: types 540.989.XXX, 541.109.xxx
Flushing duration: 20 – 30 sec.
Pressure: approx. 45 to 60 psi

Tank and container cleaning nozzles

Rotating tank and container cleaning nozzles with slide bearing



Spray angle: 360°
 Material: PVDF, Stainless Steel
 Connector: 1/2" female BSPP (PVDF)
 3/8" male NPT (stainless steel)

Features

- Self-powered rotating cleaning nozzles
- Best performance range 30-75 psi
- Very compact design
- Free spinning, self lubricating and self flushing
- Operate in every position

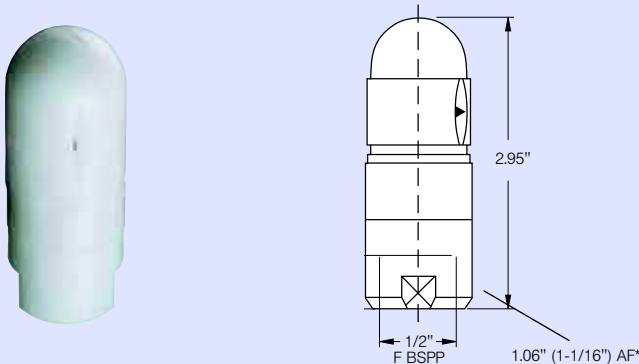
Range of application

General tank maintenance, tank agitation, plant protection product, transfer tank triple rinsing and cleanout

360°	Order no.	Material		gal/min			Dimensions (in.)				
		316L	PVDF	30 psi	45 psi	60 psi	H ₁	H ₂	D	Connection	AF*
	500.191.5E.00	-	●	5.28	6.34	8.19	3.11	0.59	1.18	1/2" F NPT	0.94 (31/32")
	566.939.1Y.BF	●	-	5.55	6.87	8.88	2.07	0.43	0.79	3/8" M NPT	0.51 (17/32")

* AF = (width) across flats

Rotating tank and container cleaning nozzle, ball bearing-mounted



Spray angle: 360°
 Material: POM
 Connector: 1/2" female BSPP

Features

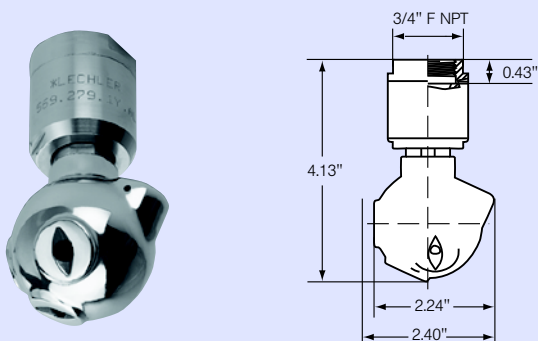
- Self-powered rotating cleaning nozzles
- Best performance range 30-75 psi
- Very compact design
- Free spinning, self lubricating and self flushing
- Operate in every position

Range of application

General tank maintenance, tank agitation, plant protection product, transfer tank triple rinsing and cleanout

300°	Order no.	gal/min			
		30 psi	45 psi	60 psi	75 psi
	500.186.56	4.76	5.81	6.71	7.50

Rotating tank cleaning nozzle, double ball bearing-mounted



Spray angle: 360°
 Material: Stainless Steel
 Connector: 3/4" female NPT

Features

- Best performance range 15-45 psi
- Improved vertical coverage

Range of application

Cleaning the insides of big sprayer tanks and containers with diameters up to 200"

360°	Order no.	gal/min		
		15 psi	30 psi	45 psi
	569.059.1Y.BL	9.51	13.5	16.4
	569.139.1Y.BL	13.7	19.3	23.5