



Tube O.D. Butt Weld Fittings



Stainless Steel Flow Control Equipment for the
Food, Beverage, Dairy, Cosmetics, Biotechnology,
Pharmaceutical and Electronics Processing Industries

Tube O.D. Butt Weld Fittings

Top Line precision crafted Tube O.D. butt weld fitting can be upgraded from a standard No. 1 unpolished ID/OD to No. 7 polished ID/OD (180 grit - 32Ra ID/OD) that meet or exceed FDA and 3-A regulatory standards.

Specifications:

Size Range: 3/4" OD - 12" OD

Wall Thickness: .065 (3/4" - 3")
 .083 (4")
 .109 (6" - 8")
 .134 (10" - 12")

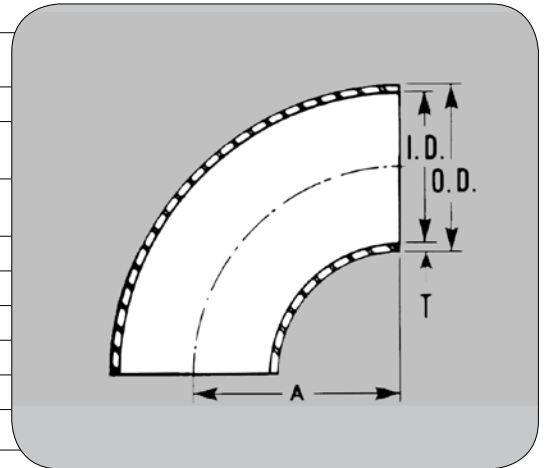
Materials: 304 (Stock No. prefix 35) as shown in part number matrix
 316L (Stock No. prefix 39) as shown in part number matrix

Finish: No. 1 - Unpolished (standard)
 No. 7 - Polished ID and OD (add -7 after 304 or 316L stock number to order)



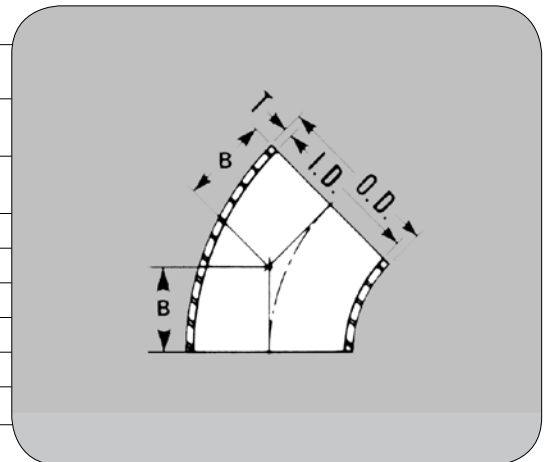
2WCL – Elbow 90° Weld Ends (3-A) Unpolished

SIZE (TUBE O.D.)	A	O.D.	I.D.	T	304 STOCK NO.	316L STOCK NO.
3/4	1-1/8	.75	.620	.065	3530107V	-
1	1-1/2	1.00	.870	.065	3530110	3930110
1-1/2	2-1/4	1.50	1.370	.065	3530115	3930115
2	3	2.00	1.870	.065	3530120	3930120
2-1/2	3-3/4	2.50	2.370	.065	3530125	3930125
3	4-1/2	3.00	2.870	.065	3530130	3930130
4	6	4.00	3.834	.083	3530140	3930140
6	9	6.00	5.782	.109	3530160	3930160
8	12	8.00	7.782	.109	3530180	3930180
10	15	10.00	9.732	.134	35301100	39301100
12	18	12.00	11.732	.134	35301120	39301120



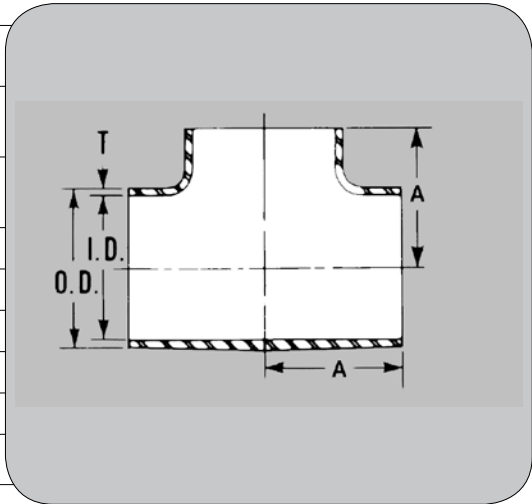
2WK – Elbow 45° Weld Ends (3-A) Unpolished

SIZE (TUBE O.D.)	A	O.D.	I.D.	T	304 STOCK NO.	316L STOCK NO.
1	5/8	1.0	.870	.065	3530310	3930310
1-1/2	15/16	1.5	1.370	.065	3530315	3930315
2	1-1/4	2.0	1.870	.065	3530320	3930320
2-1/2	1-9/16	2.5	2.370	.065	3530325	3930325
3	1-7/8	3.0	2.870	.065	3530330	3930330
4	2-1/2	4.0	3.834	.083	3530340	3930340
6	3-3/4	6.0	5.782	.109	3530360	3930360
8	5	8.0	7.782	.109	3530380	3930380
10	6-1/4	10.0	9.732	.134	35303100	39303100
12	7-1/2	12.0	11.732	.134	35303120	39303120



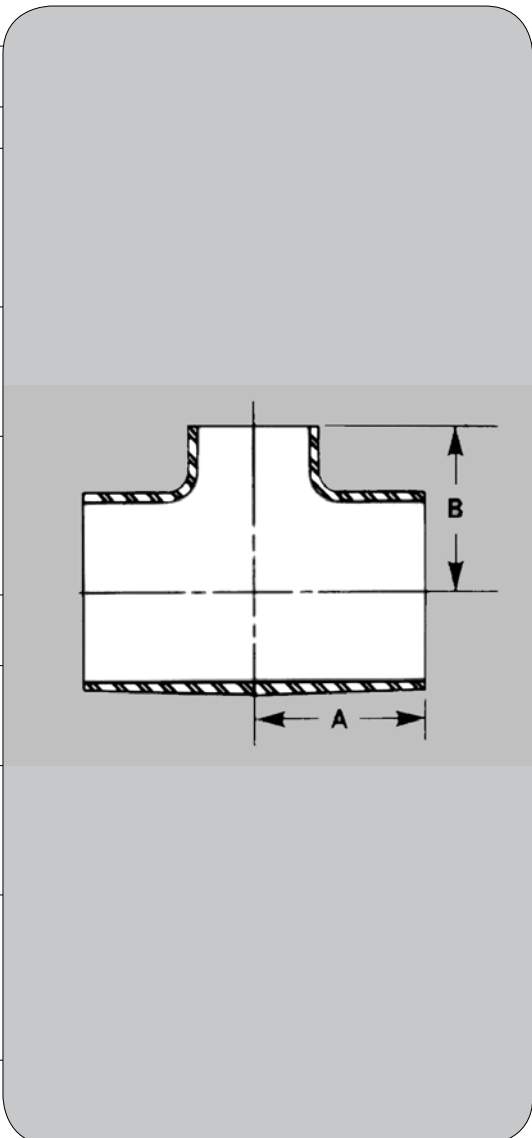
7W – Tee Weld Ends (3-A) Unpolished

SIZE (TUBE O.D.)	A	O.D.	I.D.	T	304 STOCK NO.	316L STOCK NO.
1	1-7/8	1.0	.870	.065	3530610	3930610
1-1/2	1-7/8	1.5	1.370	.065	3530615	3930615
2	3	2.0	1.870	.065	3530620	3930620
2-1/2	3	2.5	2.370	.065	3530625	3930625
3	3-1/4	3.0	2.870	.065	3530630	3930630
4	3-7/8	4.0	3.834	.083	3530640	3930640
6	5	6.0	5.782	.109	3530660	3930660
8	7	8.0	7.782	.109	3530680	3930680
10	8-1/2	10.0	9.732	.134	35306100	39306100
12	10	12.0	11.732	.134	35306120	39306120



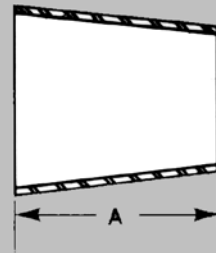
7WR – Tee Reducing Weld Ends (3-A) Unpolished

SIZE (TUBE O.D.)	A	B	304 STOCK NO.	316L STOCK NO.
1-1/2 X 1	2-1/4	2-1/8	3530515R-10	3930515R-10
2 X 1	3	2-3/8	3530520R-10	3930520R-10
2 X 1-1/2	3	2-1/2	3530520R-15	3930520R-15
2-1/2 X 1	3	2-3/4	3530525R-10	3930525R-10
2-1/2 X 1-1/2	3	2-3/4	3530525R-15	3930525R-15
2-1/2 X 2	3	3-1/4	3530525R-20	3930525R-20
3 X 1	3-1/4	3	3530530R-10	3930530R-10
3 X 1-1/2	3-1/4	3	3530530R-15	3930530R-15
3 X 2	3-1/4	3-1/2	3530530R-20	3930530R-20
3 X 2-1/2	3-1/4	3-1/4	3530530R-25	3930530R-25
4 X 1	3-7/8	4	3530540R-10	3930540R-10
4 X 1-1/2	3-7/8	4	3530540R-15	3930540R-15
4 X 2	3-7/8	4	3530540R-20	3930540R-20
4 X 2-1/2	3-7/8	3-3/4	3530540R-25	3930540R-25
4 X 3	3-7/8	3-3/4	3530540R-30	3930540R-30
6 X 3	5	5	3530560R-30	3930560R-30
6 X 4	5	5	3530560R-40	3930560R-40
8 X 3	7	7	3530580R-30	3930580R-30
8 X 4	7	7	3530580R-40	3930580R-40
8 X 6	7	7	3530580R-60	3930580R-60
10 X 3	8-1/2	8-1/2	35305100R-30	39305100R-30
10 X 4	8-1/2	8-1/2	35305100R-40	39305100R-40
10 X 6	8-1/2	8-1/2	35305100R-60	39305100R-60
10 X 8	8-1/2	8-1/2	35305100R-80	39305100R-80
12 X 3	10	10	35305120R-30	39305120R-30
12 X 4	10	10	35305120R-40	39305120R-40
12 X 6	10	10	35305120R-60	39305120R-60
12 X 8	10	10	35305120R-80	39305120R-80
12 X 10	10	10	35305120R-100	39305120R-100



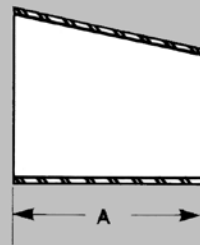
31W – Reducer Concentric Weld Ends (3-A) Unpolished

SIZE (TUBE O.D.)	A	304 STOCK NO.	316L STOCK NO.
1-1/2 X 1	2	3530815-10	3930815-10
2 X 1	4	3530820-10	3930820-10
2 X 1-1/2	2	3530820-15	3930820-15
2-1/2 X 1	6	3530825-10	3930825-10
2-1/2 X 1-1/2	4	3530825-15	3930825-15
2-1/2 X 2	2	3530825-20	3930825-20
3 X 1	8	3530830-10	3930830-10
3 X 1-1/2	6	3530830-15	3930830-15
3 X 2	4	3530830-20	3930830-20
3 X 2-1/2	2	3530830-25	3930830-25
4 X 1	12	3530840-10	3930840-10
4 X 1-1/2	10	3530840-15	3930840-15
4 X 2	8	3530840-20	3930840-20
4 X 2-1/2	6	3530840-25	3930840-25
4 X 3	4	3530840-30	3930840-30
6 X 3	6	3530860-30	3930860-30
6 X 4	4	3530860-40	3930860-40
8 X 3	6	3530880-30	3930880-30
8 X 4	6	3530880-40	3930880-40
8 X 6	6	3530880-60	3930880-60
10 X 6	7	35308100-60	39308100-60
10 X 8	7	35308100-80	39308100-80
12 X 8	8	35308120-80	39308120-80
12 X 10	8	35308120-100	39308120-100



32W – Reducer Eccentric Weld Ends (3-A) Unpolished

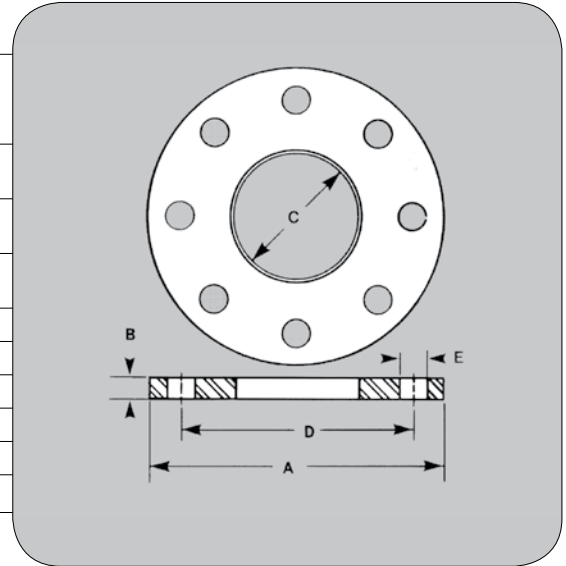
SIZE (TUBE O.D.)	A	304 STOCK NO.	316L STOCK NO.
1-1/2 X 1	2	3530915-10	3930915-10
2 X 1	4	3530920-10	3930920-10
2 X 1-1/2	2	3530920-15	3930920-15
2-1/2 X 1	6	3530925-10	3930925-10
2-1/2 X 1-1/2	4	3530925-15	3930925-15
2-1/2 X 2	2	3530925-20	3930925-20
3 X 1	8	3530930-10	3930930-10
3 X 1-1/2	6	3530930-15	3930930-15
3 X 2	4	3530930-20	3930930-20
3 X 2-1/2	2	3530930-25	3930930-25
4 X 1	12	3530940-10	3930940-10
4 X 1-1/2	10	3530940-15	3930940-15
4 X 2	8	3530940-20	3930940-20
4 X 2-1/2	6	3530940-25	3930940-25
4 X 3	4	3530940-30	3930940-30
6 X 3	6	3530960-30	3930960-30
6 X 4	4	3530960-40	3930960-40
8 X 3	6	3530980-30	3930980-30
8 X 4	6	3530980-40	3930980-40
8 X 6	6	3530980-60	3930980-60
10 X 6	7	35309100-60	39309100-60
10 X 8	7	35309100-80	39309100-80
12 X 8	8	35309120-80	39309120-80
12 X 10	8	35309120-100	39309120-100



38SL – Flange Back Up Machine Finish

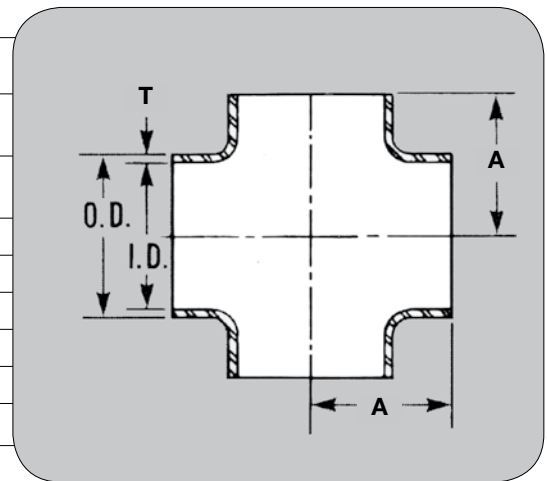
SIZE (TUBE O.D.)	FLANGE THICKNESS		I.D. C	B.C. D	NO. & DIA. OF BOLT HOLE E	304 STOCK NO.	316L STOCK NO.
	O.D. A	B					
1/2	3.50	0.313	0.563	2.38	4 - 5/8	355-05	395-05
3/4	3.79	0.344	0.813	2.75	4 - 5/8	355-07	395-07
1	4.25	0.375	1.063	3.13	4 - 5/8	355-1	395-10
1-1/2	5.00	0.375	1.563	3.88	4 - 5/8	355-15	395-15
2	6.00	0.438	2.063	4.75	4 - 3/4	355-2	395-20
2-1/2	7.00	0.438	2.563	5.50	4 - 3/4	355-25	395-25
3	7.50	0.500	3.063	6.00	4 - 3/4	355-3	395-30
4	9.00	0.500	4.063	7.50	8 - 3/4	355-4	395-40
6	11.00	0.563	6.063	9.50	8 - 7/8	355-6	395-60
8	13.50	0.563	8.060	11.75	8 - 7/8	355-8	395-80
10	16.00	0.688	10.060	14.25	12 - 1/2	355-100	395-100
12	19.00	0.688	12.060	17.00	12 - 1/2	355-120	395-120

1/2" AND 3/4" SIZES AVAILABLE UPON REQUEST



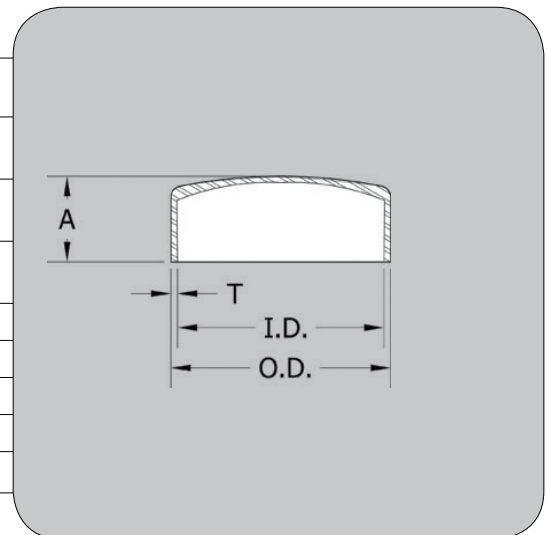
9W – Cross Weld Ends (3-A) Unpolished

SIZE (TUBE O.D.)	A	O.D.	I.D.	T	304 STOCK NO.	316L STOCK NO.
1	1-7/8	1.000	.870	.065	3530410	3930410
1-1/2	2-1/4	1.500	1.370	.065	3530415	3930415
2	3	2.000	1.870	.065	3530420	3930420
2-1/2	3	2.500	2.370	.065	3530425	3930425
3	3-1/4	3.000	2.870	.065	3530430	3930430
4	3-7/8	4.000	3.834	.083	3530440	3930440
6	5	6.000	5.782	.109	3530460	3930460
8	7	8.000	7.782	.109	3530480	3930480
10	8-1/2	10.000	9.732	.134	35304100	39304100
12	10	12.000	11.732	.134	35304120	39304120



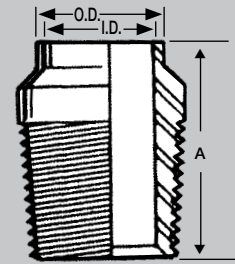
16W – Cap Weld End Stamped (3-A) Polished

SIZE (TUBE O.D.)	A	O.D.	I.D.	T	304 STOCK NO.	316L STOCK NO.
1/2	0.25	0.50	0.370	0.065	3531605	3931605
3/4	0.25	0.75	0.620	0.065	3531607	3931607
1	0.75	1.00	0.870	0.065	3531610S	3931610S
1-1/2	0.56	1.50	1.370	0.065	3531615S	3931615S
2	0.75	2.00	1.870	0.065	3531620S	3931620S
2-1/2	1.00	2.50	2.370	0.065	3531625S	3931625S
3	1.25	3.00	2.870	0.065	3531630S	3931630S
4	1.50	4.00	3.834	0.083	3531640S	3931640S
6	2.25	6.00	5.782	0.109	3531660S	3931660S
8	2.50	8.00	7.782	0.109	3531680S	3931680S
10	3.00	10.00	9.732	0.134	35316100S	39316100S



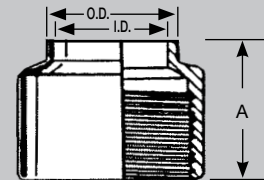
19WB – Adapter Weld End x Male NPT 32R_a ID/32R_a OD

SIZE (TUBE O.D.)	A	O.D.	I.D.	304 STOCK NO.	316L STOCK NO.
1/2	1.63	0.50	0.370	3531905	3931905
3/4	1.63	0.75	0.620	3531907	3931907
1	1.75	1.00	0.870	3531910	3931910
1-1/2	1.75	1.50	1.370	3531915	3931915
2	1.81	2.00	1.870	3531920	3931920
2-1/2	2.31	2.50	2.370	3531925	3931925
3	2.50	3.00	2.870	3531930	3931930
4	2.56	4.00	3.834	3531940	3931940



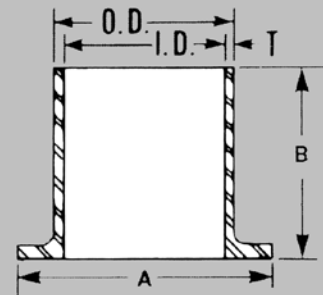
22WB – Adapter Weld End x Female NPT 32R_a ID/32R_a OD

SIZE (TUBE O.D.)	A	O.D.	I.D.	304 STOCK NO.	316L STOCK NO.
1/2	1.63	0.50	0.370	3532205	3932205
3/4	1.63	0.75	0.620	3532207	3932207
1	1.75	1.00	0.870	3532210	3932210
1-1/2	1.75	1.50	1.370	3532215	3932215
2	1.75	2.00	1.870	3532220	3932220
2-1/2	2.25	2.50	2.370	3532225	3932225
3	2.50	3.00	2.870	3532230	3932230
4	2.63	4.00	3.834	3532240	3932240



14VB – Stub End Lap Joint (3-A) Unpolished

SIZE (TUBE O.D.)	A	O.D.	I.D.	B	T	316L STOCK NO.
1/2	1.69	0.50	0.370	1.38	0.065	3930705
3/4	1.69	0.75	0.620	1.38	0.065	3930707
1	2.00	1.00	0.870	1.63	0.065	3930710
1-1/2	2.88	1.50	1.370	1.75	0.065	3930715
2	3.63	2.00	1.870	1.50	0.065	3930720
2-1/2	4.13	2.50	2.370	2.00	0.065	3930725
3	5.00	3.00	2.870	2.25	0.065	3930730
4	6.19	4.00	3.834	2.63	0.083	3930740
6	8.50	6.00	5.782	3.00	0.109	3930760
8	10.63	8.00	7.782	3.00	0.109	3930780
10	12.75	10.00	9.732	3.50	0.134	39307100
12	15.00	12.00	11.732	3.50	0.134	39307120





Always giving you
top of the line
service and quality.

Contact your Top Line Representative for Assistance

Office: P.O. Box 264 · Bradford, PA 16701

Plant: 21 Valley Hunt Drive · Lewis Run, PA 16738

800-458-6095

814-362-4626

Fax: 814-362-4453

This is what our customers are saying about us:

What is the benchmark for this industry.

Service.

The stainless steel sanitary fittings/valves industry has morphed and changed over my 24 years of dealing with it... and many suppliers/distributors/manufacturers have come and gone... those who have survived and thrived, have done so because of that benchmark.

What says "service" to me... reliability, promptness and the ability to react to the marketplace and competition when it's needed. The 25 year relationship between Shambaugh & Top Line has perfectly defined and proved this is still possible in the volatile sales world we live in.

There has been a steady and consistent understanding between supplier and customer that has worked for those same amount of years. When it comes down to "crunch time" and made to the inside sales reps at Top Line will suffice for the needs of the moment.

All of Top Line's personnel have been commendable for the major bulk of those 25 years...

As to the point of specifics... Ann Marie has been the epitome of what I've defined above. For Shambaugh's needs/requests... she has met and exceeded that benchmark... consistently.

Bob Goleeke, Shambaugh & Son

I have been working with Top Line for about 7 years. my company, for many years more.

Their personnel, service, pricing and product quality is excellent.

They have very helpful and knowledgeable engineers that always help us in more complicated scenarios. You can't ask for more from a supplier. They are responsible for my company winning many projects. I would recommend Top Line to anyone in the industry.

Bravo Top Line,

George Palov, Sales Manager - Haleson

Top Line is the leading supplier of sanitary stainless steel process equipment serving the food, beverage, dairy, pharmaceutical, biotechnological and personal care industries. For over 50 years we've provided our customers with exceptional customer service and quality products. We are committed to meeting the fastest delivery, new product development and application engineering to meet all our customer's needs with our extensive inventory and expert sales team.

Limited Warranty

Top Line Process Equipment Company products are warranted to be free of defects in material or workmanship for a period of one year from date of shipment. Warranty covers those Top Line products used in an approved installation and maintained in strict accordance with recognized standard industry practice. If, after properly authorized return, Top Line determines that products are defective, Top Line may at its option, repair or replace such defective products.

Top Line shall not be liable for consequential, indirect or incidental damages. The above warranty is in lieu of all other warranties, expressed or implied.

www.toplineonline.com