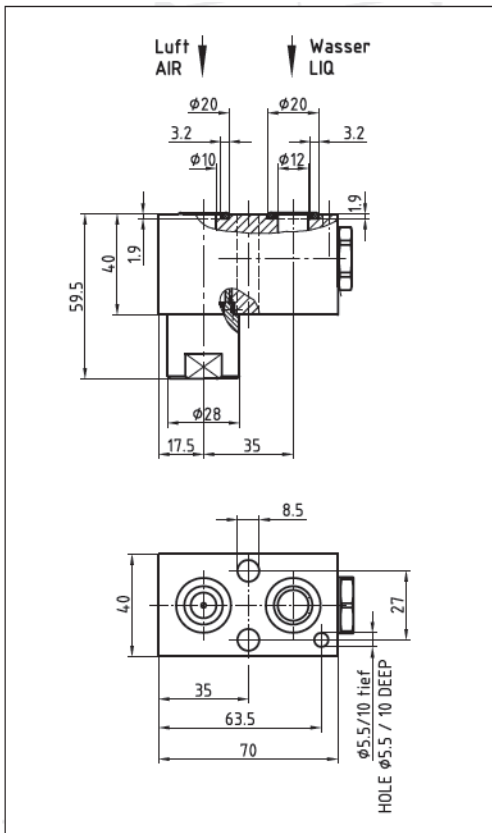


**Billet Cooler – Full Cone nozzle**  
**Standard Version**  
**Series 1PM**



BilletCooler (Full Cone)					
		Min. standard water flow at 0,5 bar water pressure (if not other mentioned)	Max. standard water flow at 7 bar water pressure (if not other mentioned)	Max. standard air flow at 0,5 bar water pressure (if not other mentioned)	Nozzle Code
All values at 2 bar constant air pressure					
Size	Spray angle	l / min	l / min	Nm <sup>3</sup> / hr	
0,6	45°	0,5 (@1,5 bar)	2,8 (@6,5 bar)	3,8 (@1,5 bar)	1PM.021.30.68
0,6	60°	0,5 (@1,5 bar)	2,8 (@6,5 bar)	3,8 (@1,5 bar)	1PM.021.30.69
0,6	90°	0,5 (@1,5 bar)	2,8 (@6,5 bar)	3,8 (@1,5 bar)	1PM.021.30.70
0,9	45°	0,9 (@1,5 bar)	3,4 (@6,5 bar)	4 (@1,5 bar)	1PM.021.30.71
0,9	60°	0,9 (@1,5 bar)	3,4 (@6,5 bar)	4 (@1,5 bar)	1PM.021.30.63
0,9	90°	0,9 (@1,5 bar)	3,4 (@6,5 bar)	4 (@1,5 bar)	1PM.021.30.67
1	45°	0,40	4,0	4,0	1PM.021.30.72
1	60°	0,40	4,0	4,0	1PM.021.30.21
1	90°	0,40	4,0	4,0	1PM.021.30.41
1,25	45°	0,50	5,0	4,6	1PM.021.30.73
1,25	60°	0,50	5,0	4,6	1PM.021.30.20
1,25	90°	0,50	5,0	4,6	1PM.021.30.25
1,6	45°	0,60	6,0	6,0	1PM.021.30.74
1,6	60°	0,60	6,0	6,0	1PM.021.30.75
1,6	90°	0,60	6,0	6,0	1PM.021.30.76
1,8	45°	0,60	6,9	8,5	1PM.021.30.77
1,8	60°	0,60	6,9	8,5	1PM.021.30.78
1,8	90°	0,60	6,9	8,5	1PM.021.30.79
2,0	45°	0,8 (@1 bar)	8,0	8,5 (@1 bar)	1PM.021.30.80
2,0	60°	0,8 (@1 bar)	8,0	8,5 (@1 bar)	1PM.021.30.40
2,0	90°	0,8 (@1 bar)	8,0	8,5 (@1 bar)	1PM.021.30.81
2,6	45°	1,00	10,0	10,0	1PM.021.30.82
2,6	60°	1,00	10,0	10,0	1PM.021.30.83
2,6	90°	1,00	10,0	10,0	1PM.021.30.84
3	45°	1,20	12,0	12,0	1PM.021.30.85
3	60°	1,20	12,0	12,0	1PM.021.30.22
3	90°	1,20	12,0	12,0	1PM.021.30.86
3,7	45°	1,40	14,0	14,0	1PM.021.30.87
3,7	60°	1,40	14,0	14,0	1PM.021.30.88
3,7	90°	1,40	14,0	14,0	1PM.021.30.89

