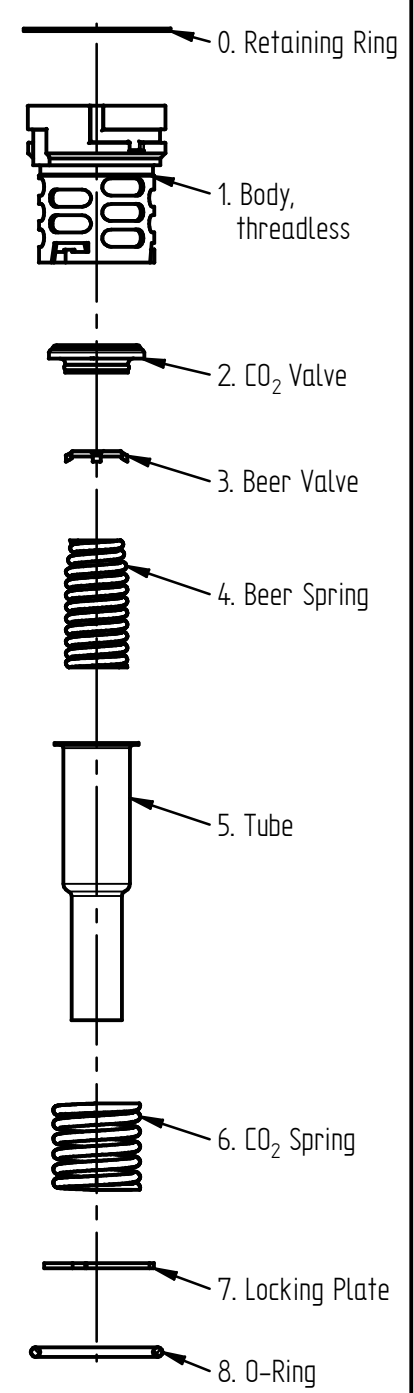
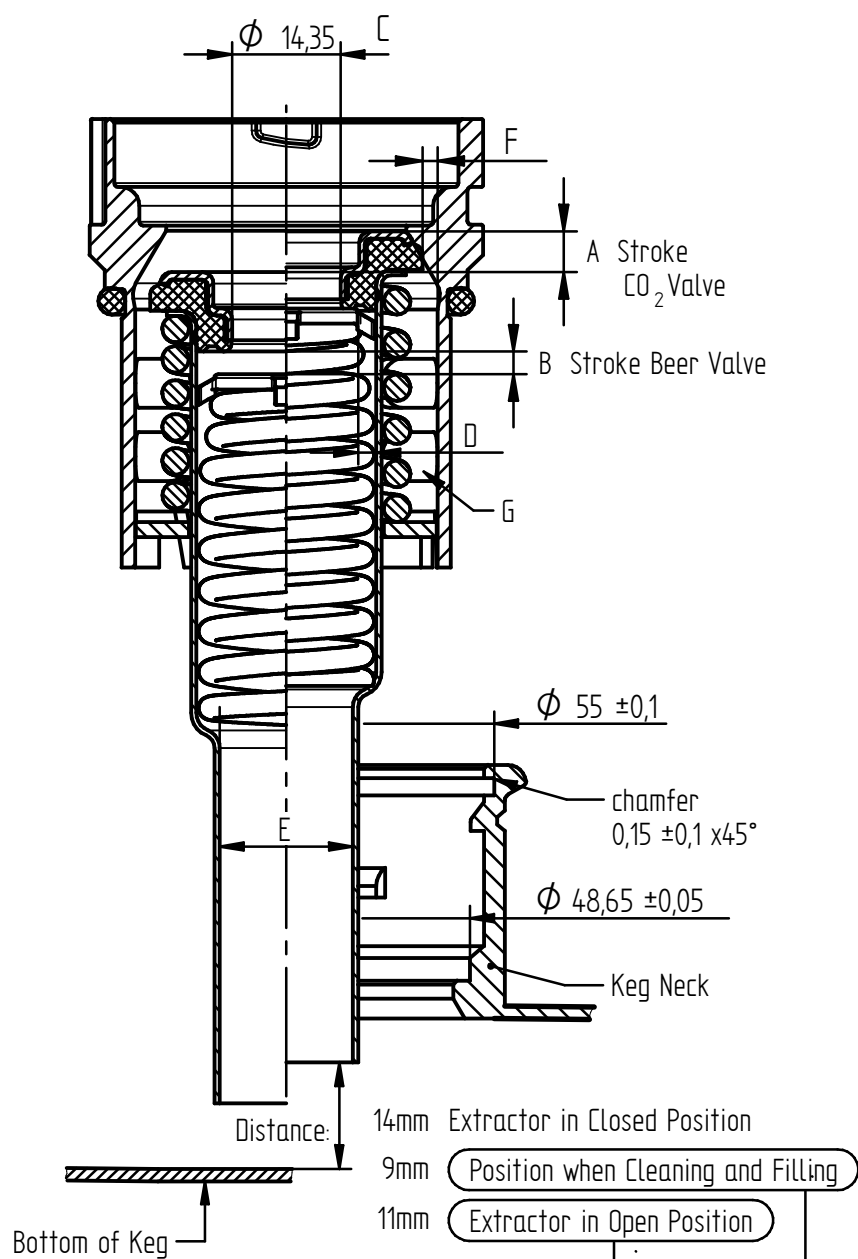


This drawing is the property of Dispense Systems International. The information is confidential and should not be copied for any other purpose without the prior written permission of DSI Getränkeautomaten GmbH. If in doubt, please ask. Samples are required after each revision.



I	Stroke	CO <sub>2</sub> Valve + Tube	Parts 2+5 - Part 1	A	3mm	max. 4mm-6mm
		Beer Valve	Part 3 - Part 2	B	4mm	6,5mm-8mm
II	Passages through Inner Tube		In Part 2 Ø14,35	C		160mm <sup>2</sup>
			Part 3 - Part 5	D		125mm <sup>2</sup>
			In Part 5 Ø17,6	E		240mm <sup>2</sup>
III	Passages through Outer Tube		Part 1 - Part 2	F		240mm <sup>2</sup>
			Part 1	G		1660mm <sup>2</sup>
IV	Temperature Resistance	Short-time 135°C				

PRODUCT		REMARKS		ROUGHNESS	SCALE	WEIGHT VOLUME	
					MATERIAL		
			DATE	NAME	TITLE		
			DRAWN 11.12.2002	AH	Technical Data Sheet ET-W B		
			APPR.				
			NORM				
			PROD. DEV.	DE			
				PROJ. METHOD	FORMAT	DRAWING NUMBER	SHEET
					A4	D-184777	1
A	updated	20.02.2013	Kunze				2 SHTS.
Δ	ALTERATIONS	DATE	NAME	ORIGIN	REPL.	REPL. BY	