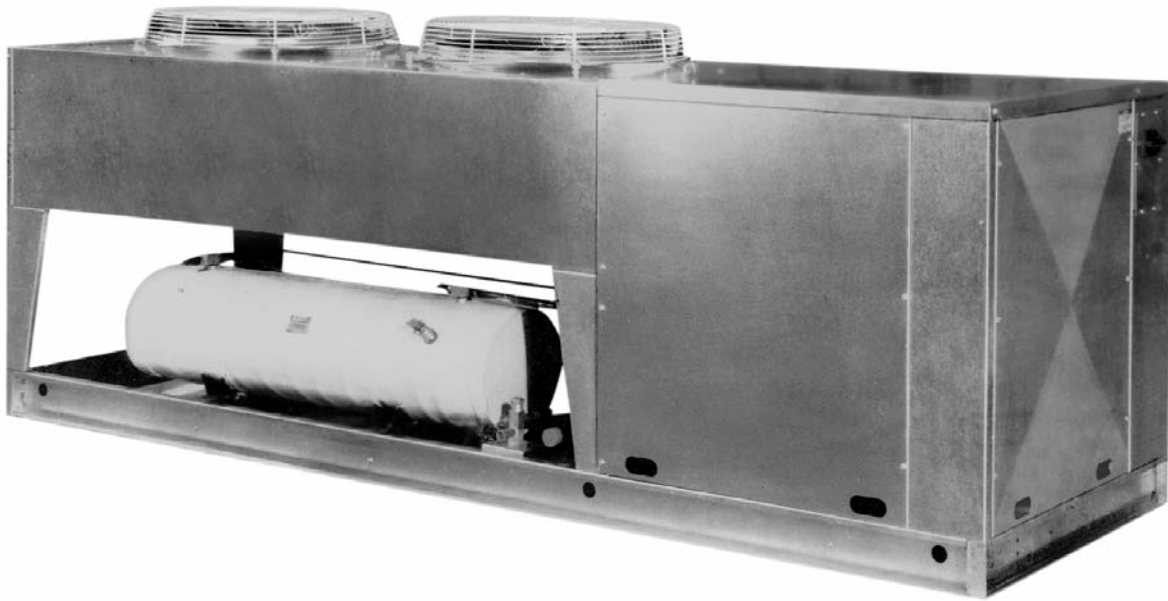


# MUELLER® AIR-COOLED CONDENSING UNITS

## COL SERIES



**MUELLER AIR-COOLED CONDENSING UNITS COME IN SIZES  
RANGING FROM 5 THRU 80 HORSEPOWER.**

Mueller air-cooled condensing units can be utilized for standard refrigeration applications, or by adding the modified options you have a condensing unit that is designed specifically to work with Mueller chillers.

**MUELLER®**

REFRIGERATION PRODUCTS

# TECHNICAL SPECIFICATION DATA

Electrical Characteristics																
Model No.	Compressor	208-230/3/60								480/3/60						
		Compressor		Fan	Evap.	Max. Dfr.	MCA	MFS	Compressor		Fan	Evap.	Max. Dfr.	MCA	MFS	
		RLA	LRA	FLA	FLA	FLA			FLA	FLA	FLA	FLA	FLA			
COL-0500H	2DC 0500	22.3	120	3.5	8.0	26.2	39	60	10.4	60	1.8	2.4	13.1	17	25	
COL-0800H	2DL 0750	31.6	169	7.0	11.0	43.4	58	80	13.8	85	3.5	3.3	16.4	24	35	
COL-0900H	3DA 0750	41.0	215	7.0	16.0	55.3	74	110	20.0	106	3.5	6.5	27.7	35	50	
COL-1000H	3DB 1000	43.6	215	7.0	16.0	55.3	76	110	20.0	106	3.5	6.5	27.7	35	50	
COL-1500H	3DS 1500	59.6	275	7.0	24.0	73.0	106	150	29.0	138	3.5	7.2	36.5	47	75	
COL-2000H	4DA 2000	66.6	308	12.8	24.0	110.6	119	175	33.0	154	6.4	7.2	55.3	65	80	
COL-2500H	4DH 2500	82.2	428	12.8	26.0	110.6	142	200	41.4	214	6.4	13.0	55.3	71	110	
COL-3000H	4DJ 3000	94.0	470	12.8	26.0	110.6	156	250	47.0	235	6.4	13.0	55.3	78	125	
COL-3500H	6DH 3500	107.0	565	19.2	26.0	125.6	179	250	53.5	283	9.6	13.0	62.8	89	125	
COL-4000H	6DJ 4000	141.0	594	19.2	39.0	150.6	234	350	70.5	297	9.6	19.5	75.4	117	175	
COL-5000H	2-4DH 2500	164.4	856	25.6	52.0	221.2	284	400	82.8	428	12.8	26.0	110.6	142	220	
COL-6000H	2-4DJ 3000	188.0	940	25.6	52.0	221.2	312	500	94.0	470	12.8	26.0	110.6	156	250	
COL-7000H	2-6DH 3500	214.0	1,130	38.4	52.0	251.2	358	500	107.0	566	19.2	26.0	125.6	178	250	
COL-8000H	2-6DJ 4000	282.0	1,188	38.4	78.0	301.6	468	700	141.0	594	19.2	39.0	150.8	234	350	

**Note:**

All electrical data listed shows the totals per unit.

## STANDARD FEATURES

- ▲ Outdoor weather hood
- ▲ Weatherproof control panel
- ▲ Condenser with subcooling circuit
- ▲ Semi-hermetic compressor with crankcase heater
- ▲ Liquid receiver
- ▲ Suction/discharge vibration absorbers
- ▲ Head-pressure control valve
- ▲ Liquid line filter drier and sight glass
- ▲ Suction filter  
(replaceable core filter 15 hp and larger)
- ▲ Suction accumulator
- ▲ Liquid and suction service valves
- ▲ Non-fused disconnect
- ▲ Compressor and condenser fuses (as required)
- ▲ Oil pressure control
- ▲ High/low pressure control
- ▲ Manual pump-down switch
- ▲ Compressor contactor
- ▲ Condenser fan contactors (as required)
- ▲ Fan-cycling thermostat

## MODIFIED UNIT FEATURES

- ▲ Standard features listed above
- ▲ Accumulator with heat exchanger in lieu of standard suction accumulator
- ▲ Hot-gas bypass valve (piped into accumulator) with hot-gas solenoid valve
- ▲ Liquid injection valve (piped into accumulator) with liquid injection solenoid valve
- ▲ Separate low-pressure control to activate hot-gas bypass and liquid injection solenoid valves

# CONDENSING UNIT PERFORMANCE

Condensing Unit Performance (60 hertz, R-22/R-404A)						
Model No.	HP	Evaporator Temperatures				
		10°F	15°F	27°F	35°F	45°F
COL-0500H	5.0	29,563	34,864	43,488	50,665	60,451
COL-0800H	7.5	49,200	55,500	72,160	84,900	102,300
COL-0900H	7.5	64,400	71,700	90,380	104,200	123,000
COL-1000H	10.0	74,200	82,500	107,720	125,200	150,000
COL-1500H	15.0	101,600	112,500	141,900	163,400	191,400
COL-2000H	20.0	111,800	125,800	161,580	189,200	225,800
COL-2500H	25.0	137,600	154,800	202,100	240,800	289,200
COL-3000H	30.0	168,800	187,100	239,540	271,852	326,634
COL-3500H	35.0	216,100	239,700	307,040	349,762	419,342
COL-4000H	40.0	255,900	281,700	356,260	410,700	489,100
COL-5000H	50.0	275,200	309,600	404,200	481,600	578,400
COL-6000H	60.0	337,600	374,200	479,080	543,704	653,268
COL-7000H	70.0	432,200	479,400	614,080	699,524	838,684
COL-8000H	80.0	511,800	563,400	712,520	821,400	978,200

**Note:**

Based on a 95°F ambient temperature.

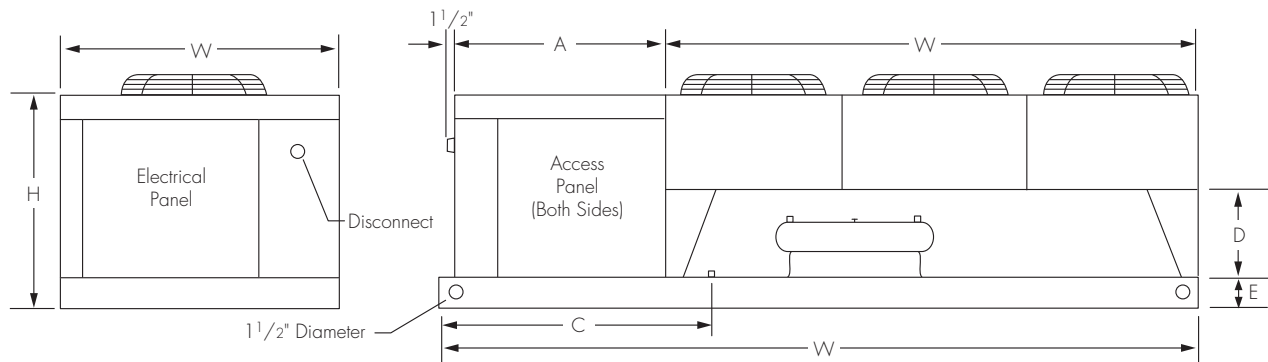
## OPTIONS

- ▲ Cylinder unloading
- ▲ Accumulator with heat exchanger
- ▲ Hot-gas bypass
- ▲ Liquid injection
- ▲ Oil separator
- ▲ Insulated and heated receiver

## OTHER CONDENSING UNITS AVAILABLE

- ▲ Remote, air-cooled condensing unit (5 thru 40 horsepower)
- ▲ Water-cooled condensing unit (5 thru 40 horsepower)
- ▲ Indoor air-cooled condensing unit (1 thru 5 horsepower)
- ▲ Larger sizes and custom high sides are also available

# DIMENSIONAL DATA



## Dimensional Data

Model No.	Condenser No. of Fans	Condensing Unit Dimensions (inches)							
		L	W	H	A	B	C	D	E
COL-0500H	1	81	40.25	40.5	38	43	46	18	5
COL-0800H	2	121	40.25	40.5	38	83	46	18	5
COL-0900H	2	121	40.25	40.5	38	83	46	18	5
COL-1000H	2	121	40.25	40.5	38	83	46	18	5
COL-1500H	2	121	40.25	40.5	38	83	46	18	5
COL-2000H	2	176	48.00	53.5	55	109	63	21	6
COL-2500H	2	176	48.00	53.5	55	109	63	21	6
COL-3000H	2	176	48.00	53.5	55	109	63	21	6
COL-3500H	3	229	48.00	53.5	55	162	63	21	6
COL-4000H	3	229	48.00	53.5	55	162	63	21	6
COL-5000H	4	176	96.00	53.5	55	109	63	21	6
COL-6000H	4	176	96.00	53.5	55	109	63	21	6
COL-7000H	6	229	96.00	53.5	55	162	63	21	6
COL-8000H	6	229	96.00	53.5	55	162	63	21	6

**MUELLER**®

P.O. Box 828 • Springfield, Missouri 65801-0828, U.S.A.  
 Phone: (417) 831-3000 • 1-800-MUELLER • Fax: 1-800-436-2466  
 www.muel.com • E-mail: refrigeration@muel.com