

MiniSCALEMASTER® Descaling Nozzles

Series 642

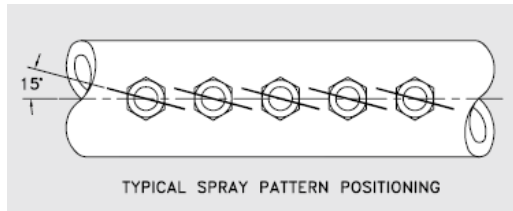
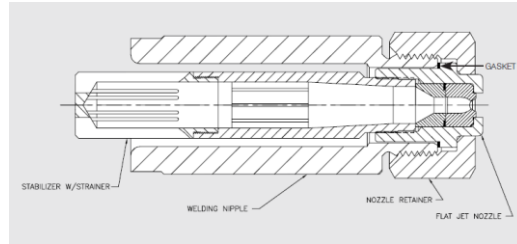
While the standard MiniSCALEMASTER® can handle the majority of applications, there are some situations where an even more powerful approach is required to gain the next level of effectiveness.

The MiniSCALEMASTER® HP is a more sophisticated design that can handle the most difficult and demanding descaling situations.

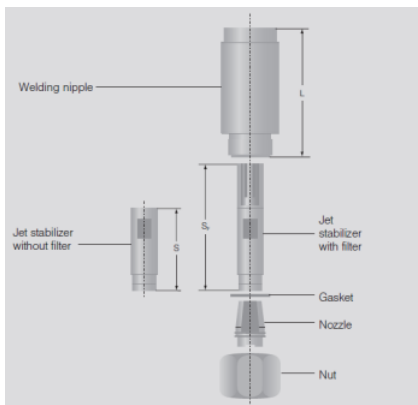
The MiniSCALEMASTER® HP (642 Series) is a compact system for use where lower spray heights are necessary — such as in the descaling of thin slabs, beam blanks, rails, billets and rounds.

The minimum spray height (h^2) is normally 50 mm, because the nozzles cannot be physically placed closer together.

If a spray height of less than 50 mm is required, LECHLER offers a special retaining nut (product no. 064. 401. 11).



Ordering Number	Spray Angle				Mat No.	Tungsten Carbide	Minimum Free Passage (in.)	Flow Rate (Gallons Per Minute)								
	22°	26°	30°	40°				H7	700 psi	1000 psi	1500 psi	litres per minute @ 120 bar	2000 psi	2500 psi	3000 psi	3500 psi
642	535	536	537	538	✓	✓	0.043	2.8	3.3	4.0	16.4	4.7	5.2	5.7	6.2	
642	565	566	567	568	✓	✓	0.047	3.3	3.9	4.8	19.7	5.6	6.2	6.8	7.4	
642	605	606	607	608	✓	✓	0.059	4.2	5.1	6.2	25.3	7.1	8.0	8.8	9.4	
642	645	646	647	648	✓	✓	0.063	5.1	6.1	0.0	30.7	8.7	9.7	10.6	11.5	
642	685	685	687	688	✓	✓	0.071	6.6	7.9	9.7	39.4	11.2	12.5	13.7	14.8	
642	725	726	727	728	✓	✓	0.075	8.3	9.9	12.1	49.3	14.0	15.6	17.1	18.5	
642	765	766	767	768	✓	✓	0.091	10.6	12.7	15.6	63.5	18.0	20.1	22.0	23.8	
642	805	806	807	808	✓	✓	0.106	13.0	15.8	19.3	78.8	22.3	24.9	27.3	29.5	
642	845	846	847	848	✓	✓	0.118	16.3	19.5	23.9	97.5	27.6	30.9	33.8	36.5	
642	885	886	887	888	✓	✓	0.134	20.6	24.6	30.1	122.0	34.7	38.8	42.6	46.0	
642	-	906	907	908	✓	✓	0.145	22.9	27.4	33.6	136.0	38.8	43.3	47.5	41.3	
642	-	916	917	918	✓	✓	0.149	24.6	29.4	36.0	146.0	41.6	46.5	50.9	55.0	



Component	Ordering No.	Weight (kg.)	
Welding nipple Material: AISI 304	Length: L=32mm	060.020.1C.01	0.065
	L=39mm	060.020.1C.00	0.082
	L=80mm	060.020.1C.02	0.192
Jet stabilizer Material: Brass	without filter S= 74	064.231.16	0.070
	with filter S=110	064.250.16	0.110
	with filter S=130	064.252.16	0.140
	with filter S=150	064.253.16	0.160
Gasket Material: Copper	095.015.34.02.07	0.001	
Nut (Standard) Material: AISI 431	Hex22	064.401.11	0.120
Alignment tip/Blank tip Material: Mild steel	Data sheet on request	064.490.01	0.056
Disassembly tool Material: Mild steel	Data sheet on request	064.491.01	0.11
Tip extractor	Data sheet on request	095.009.00.12.70.0	0.95