

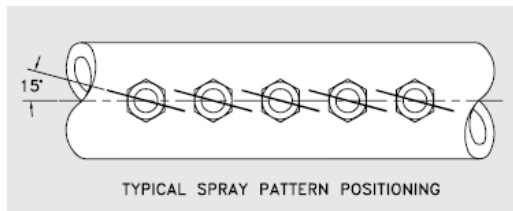
# MicroSCALEMASTER® Descaling Nozzles

## Series 622

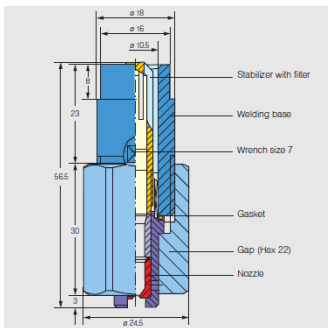
The MicroSCALEMASTER® is the next logical step toward closer nozzle spacing and shorter stand-off distance. It offers the possibility of nozzle spacing of only 1.18" (30mm) while minimizing the "Swiss cheese effect," i.e. perforating headers with close pitches. Even at that spacing, there is still a sufficient root gap between the holes. The result is a header that can be as close as 2" (50mm) to the strip for exceptional descaling efficiency with very low flow rates.

Moreover, the small profile of the nozzle base allows for complicated header configurations to descale odd shaped sections and forgings. The stabilizer is almost flush with the back of the base, so it does not require additional clearance within the header. It is even possible to use pipes with reduced diameters and wall thickness due to the small holes involved. These allow you the possibility to mount headers in spaces that would not be practical even with the MiniSCALEMASTER®.

The physical size of the tip limits it to small capacities, but with the efficiencies gained by optimal header and nozzle placement, even low capacity nozzles have the ability to be highly effective.



Series	Flow Rate				27 Tungsten Carbide	Minimum Free Passage (in.)	Flow Rate (Gallons Per Minute)							
	22°	26°	30°	40°			700 psi	1000 psi	1500 psi	Liters Per Min. 120 bar	2000 psi	2500 psi	3000 psi	3500 psi
622	495	496	497	498	✓	0.042	2.2	2.6	3.2	13.2	3.7	4.2	4.6	5.0
622	535	536	537	538	✓	0.043	2.7	3.3	4.0	16.5	4.6	5.2	5.7	6.2
622	565	566	567	568	✓	0.047	3.3	4.0	4.8	19.8	5.6	6.2	6.8	7.4
622	605	606	607	608	✓	0.059	4.2	5.1	6.2	25.3	7.1	8.0	8.8	9.4
622	645	646	647	648	✓	0.063	5.1	6.1	7.5	30.8	8.7	9.7	10.6	11.5



Component	Ordering No.	
Welding nipple: Material: AISI 316	Length: L=35mm 062.210.17.02	
Jet stabilizer Material: Brass	with filter S=35 062.250.30.00	
Gasket Material: Copper	095.015.1C.07.08	
Nut (Standard) Material: 430SS	062.200.11.02	
Alignment tip/Blank tip Material: Mild steel	Data sheet on request 062.290.01.00 062.290.01.01 062.290.01.02	Right Hand Left Hand Center
Disassembly tool & tip extractor Material: Mild steel	Data sheet on request 095.009.00.13.77	