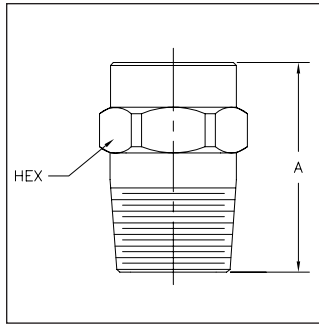


FULL CONE



INJECTOR NARROW ANGLE NOZZLES

1/4" TO 3/8" NPT (M)



Typical Applications:
 Desuperheating
 Deep penetration cleaning
 and washing
 Liquid injection

Nozzle Inlet Conn. ("NPT)	Dimensions (inches)		Approx. Weight (lbs.)
	A	HEX	
1/4	1.25"	11/16	.16
3/8	1.5"	15/16	.20

Injector Narrow Angle Full Cone Nozzles

Lechler Injector nozzles produce a narrow, full cone

pattern with higher impact as compared to wider-angle full cone nozzles rated at the same flow capacity. Available with

either a 15° or 30° spray angle. Injector nozzles produce large droplets with uniform distribution.

Spray Angle	Nozzle Type	Material Code		Nozzle Inlet Conn. ("NPT Male)		Orifice Diam. (in.)	Flow Rate (Gallons Per Minute)						Spray Width (Inches) Spray Height H=10"	
		303 SS	Brass	1/4	3/8		10 psi	20 psi	litres per minute	40 psi	60 psi	80 psi		100 psi
		16	30				2	bar						
15°	452.661	○	○	BC	—	0.093	0.70	0.99	4.30	1.40	1.70	2.00	2.20	2.5
	452.791	○	○	BC	—	0.125	1.50	2.10	9.20	3.00	3.70	4.20	4.70	2.5
	452.881	○	○	—	BE	0.156	2.50	3.50	15.3	5.00	6.10	7.10	7.90	2.5
30°	452.442	○	○	BC	—	0.046	0.21	0.29	1.27	0.40	0.49	0.56	0.62	5
	452.542	○	○	BC	—	0.062	0.35	0.49	2.15	0.68	0.82	0.94	1.00	5
	452.602	○	○	BC	—	0.078	0.52	0.72	3.16	1.00	1.20	1.40	1.50	5
	452.672	○	○	—	BE	0.093	0.78	1.10	4.83	1.50	1.80	2.10	2.30	5

FULL CONE



Ordering Information:

Type + Material Code + Connection Code = Order No.

452. 661 30 BC 452. 661. 30. BC

Material Code:

16 303 SS

30 Brass