

KMA 190

Pneumatically Operated Valve DN 4 - 15 mm (1/4" - 1/2")



Cf. 1, 2 & 3

Features

- Efficient plastic piston actuator with stainless steel distance piece
- Direction of control air connection is mountable in 90° rotations
- CDSA sealing concept, see page 30
- Flexible diaphragm suspension
- Optical indicator

Optional

- Available with a wide range of control equipment and accessories see page 102 to 108, also for retrofitting



Cf. 4, 5 & 6

Butt weld ends
MA 8
Fold out page 19

Technical Data

- Control function (Cf.): Pneumatically operated
 Fail safe close (NC): Cf. 1 & 4
 Fail safe open (NO): Cf. 2 & 5
 Double acting (DA): Cf. 3 & 6
- Direction
 Control connection: At Cf. 1, 2 & 3, 90° to flow direction, standard
 At Cf. 4, 5 & 6 in flow direction
- Max. working pressure: Unidirectional (delta p = 100%)
 EPDM diaphragm 8 bar (115 psi)
 PTFE diaphragm 7 bar (100 psi)

Higher working pressure may be achieved with different actuator. Please consult a SED factory representative for working pressure above the indicated maximum.

- Max. working temperature: 160°C (320°F) dependent on application
 Control pressure: Cf. 1 & 4 4 - 7 bar (60 - 100 psi)
 Cf. 2, 3, 5 & 6 3,5 - 4,5 bar (50 - 65 psi)

- Diaphragm material: EPDM or PTFE
 Valve body material: Forged 1.4435/ 316 L ASME/BPE
 Investment cast 1.4435/ 316 L
 Other alloys

- End connection: Butt weld ends see fold out page 19
 Clamps and flanges see page 20 and 21
 Special ends

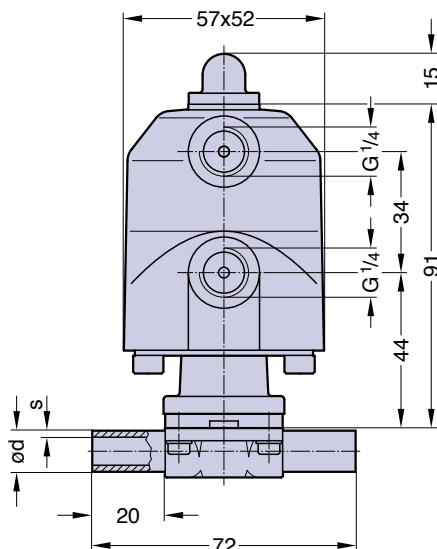
- Actuators suitable for: Two-Way bodies
 Welded configurations
 T-bodies
 Multiport bodies
 Tank bottom bodies

Flow rate: Kv in m³/h (Cv in GPM) see page 9

Diaphragm size: MA 8

Weight: ca. 0,5 kg

Technical data also valid for multiport valve.



Ordering key see page 56.