

Steripur 307

Pneumatically Operated Valve DN 8 - 20 mm (3/8" - 3/4")



Cf. 4

Features

- High cycle stainless steel piston actuator
- Compact design, the outside diameter of the actuator is the same size as the bonnet flange
- Advantages in multiport bodies and manifold valve assemblies
- Control air connection in flow direction
- CDSA sealing concept, see page 30
- Flexible diaphragm suspension
- Encapsulated diaphragm
- Clean and polished exterior design ideal for sterile wash downs

Optional

- Available with a wide range of control equipment and accessories see page 102 to 108, also for retrofitting
- Control air connection 90° to flow direction
- Autoclavable

Technical Data

Control function (Cf.): Pneumatically operated
 Fail safe close (NC): Cf. 1 & 4
 Fail safe open (NO): Cf. 2 & 5
 Double acting (DA): Cf. 3 & 6

Direction

Control connection: At Cf. 4, 5 & 6 in flow direction, standard
 At Cf. 1, 2 & 3, 90° to flow direction

Max. working pressure: Unidirectional (delta p = 100%)
 EPDM diaphragm 8 bar (115 psi)
 PTFE diaphragm 7 bar (100 psi)

Higher working pressure may be achieved with different actuator. Please consult a SED factory representative for working pressure above the indicated maximum.

Max. working temperature: 160°C (320°F) dependent on application
 Control pressure: Cf. 1 & 4 4,2 - 7 bar (60 - 100 psi)
 Cf. 2, 3, 5 & 6 4 - 5 bar (60 - 72 psi)

Diaphragm material: EPDM or PTFE
 Valve body material: Forged 1.4435/ 316 L ASME/BPE
 Investment cast 1.4435/ 316 L
 Other alloys

End connection: Butt weld ends see fold out page 19
 Clamps and flanges see page 20 and 21
 Special ends

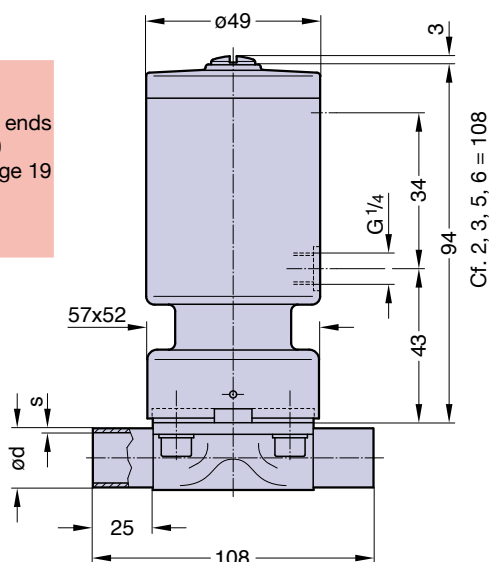
Actuators suitable for: Two-Way bodies
 Welded configurations
 T-bodies
 Multiport bodies
 Tank bottom bodies

Flow rate: Kv in m³/h (Cv in GPM) see page 9

Diaphragm size: MA 10

Weight: ca. 1,0 kg

Technical data also valid for multiport valve.



Ordering key see page 56.