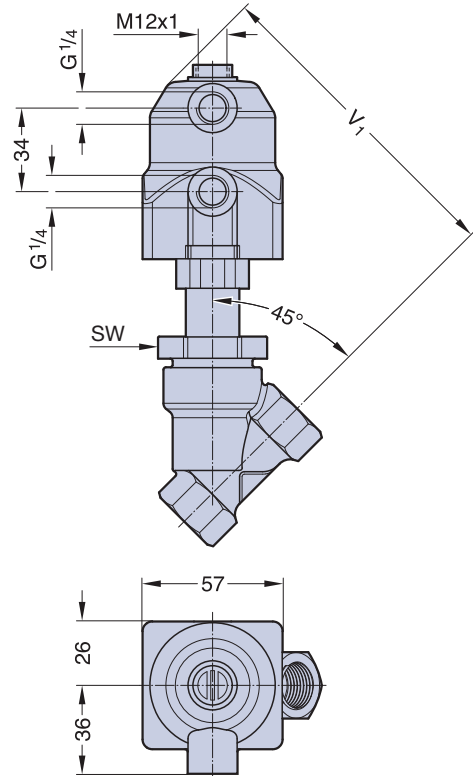
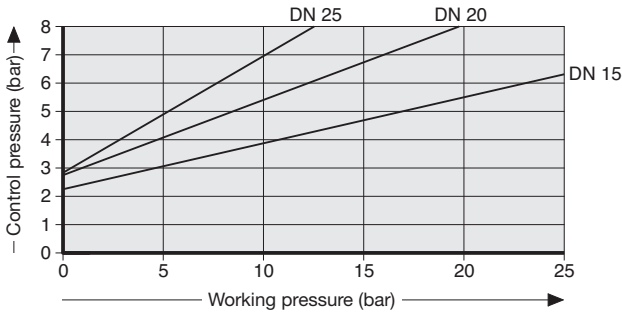


Type 584, Actuator 45 and Actuator 46



Actuator 45 (NO), flow below the seat



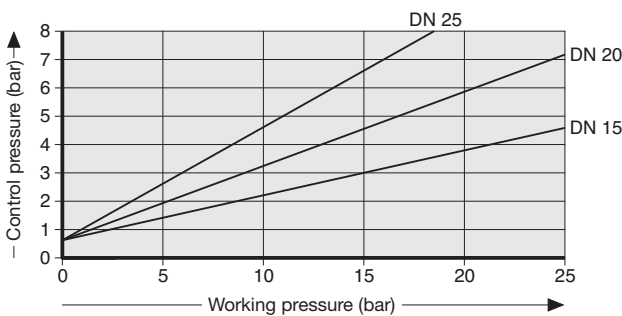
Measurement and weight table Actuator type 45 and 46

DN	SW	V ₁	Weight (kg)
15	36	130	0,8
20	41	136	1,1
25	46	140	1,2

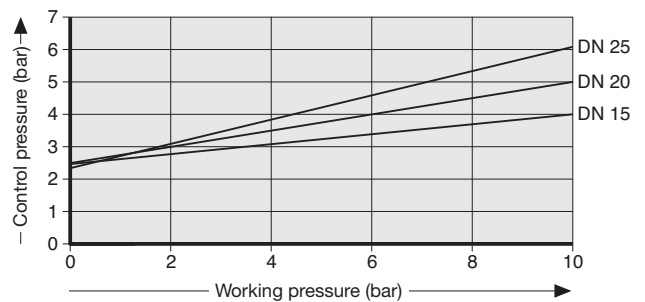
Valve body types see page 96 - 97

Control equipment and accessories see page 100 - 106

Actuator 45 (DA), flow below the seat



Actuator 46 (NC), flow above the seat



Working pressure normally closed (Cf. 1), flow below the seat as well as Working terms, see table page 90.
All pressures are gauge pressures.