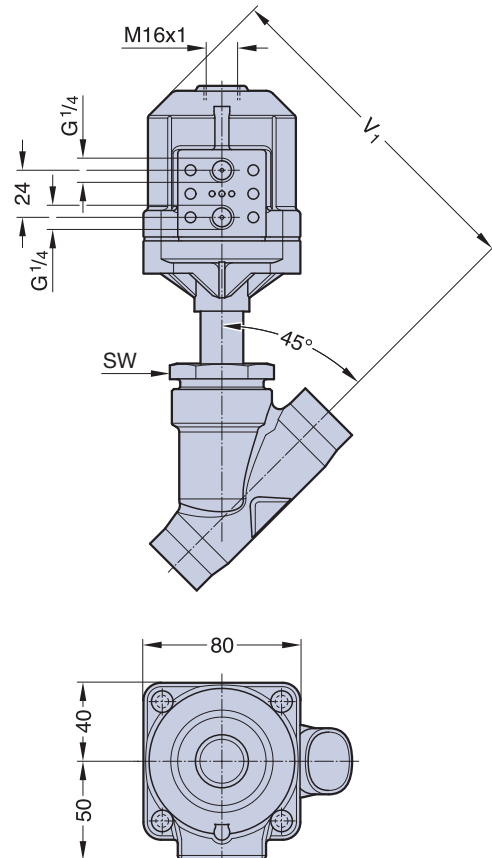


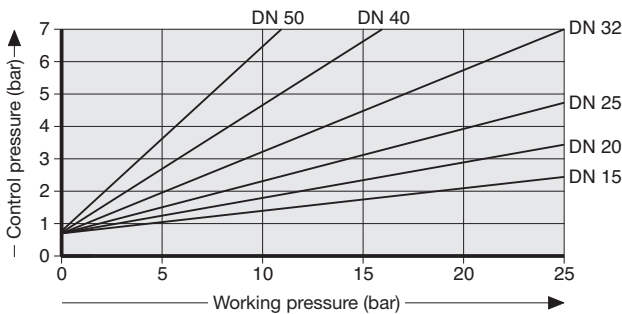
Type 584, Actuator 70 and Actuator 71



Namur-Flange
The threaded
bushing
024.583.001 for
the valve mounting
necessary
is available on
request.



Actuator 70 (NO), flow below the seat



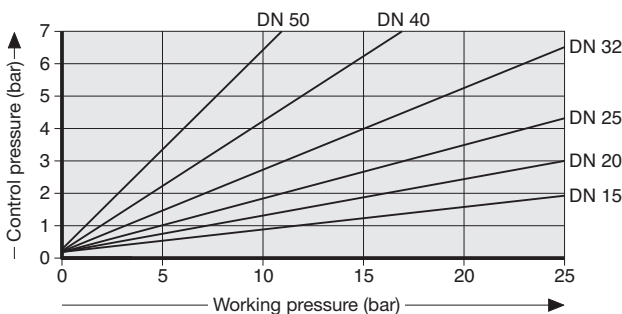
Measurement and weight table Actuator type 70 and 71

DN	SW	V ₁	Weight (kg)
15	36	162	1,2
20	41	173	1,3
25	46	173	1,6
32	55	179	2,1
40	60	185	2,2
50	75	192	3,2

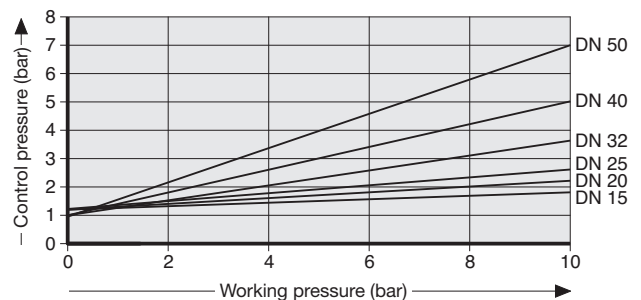
Valve body types see page 96 - 97

Control equipment and accessories see page 100 - 106

Actuator 70 (DA), flow below the seat



Actuator 71 (NC), flow above the seat



Working pressure normally closed (Cf. 1), flow below the seat as well as Working terms, see table page 90.
All pressures are gauge pressures.