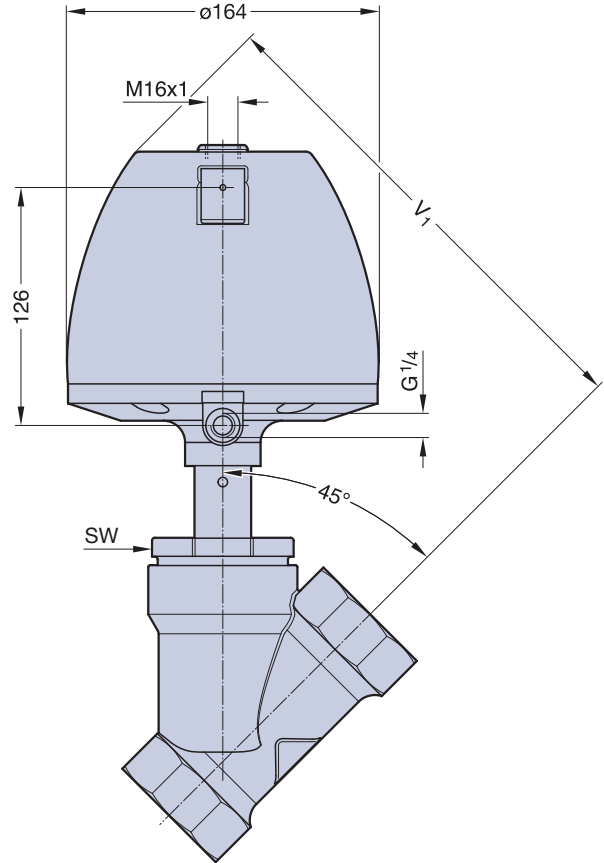


Type 585, Actuator 120

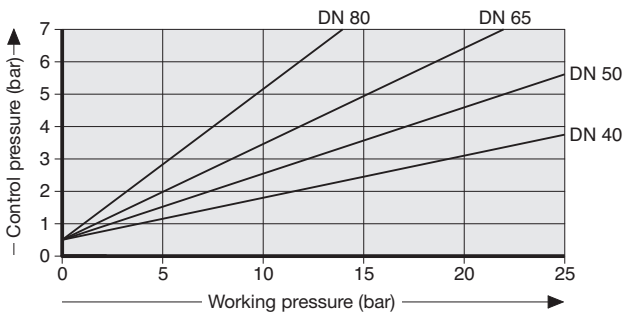


DN	SW	V ₁	Weight (kg)
20	41	237	4,9
25	46	241	5,2
32	55	247	5,5
40	60	253	5,7
50	75	260	5,9
65	75	273	8,8
80	75	273	8,8

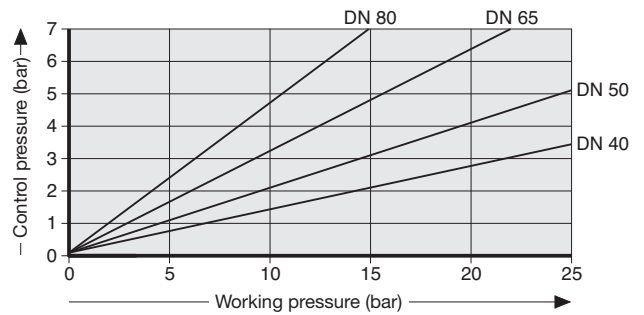
Valve body types see page 96 - 97

Control equipment and accessories see page 100 - 106

Actuator 120 (NO), flow below the seat



Actuator 120 (DA), flow below the seat



Working pressure normally closed (Cf. 1), flow below the seat as well as Working terms, see table page 90.
All pressures are gauge pressures.