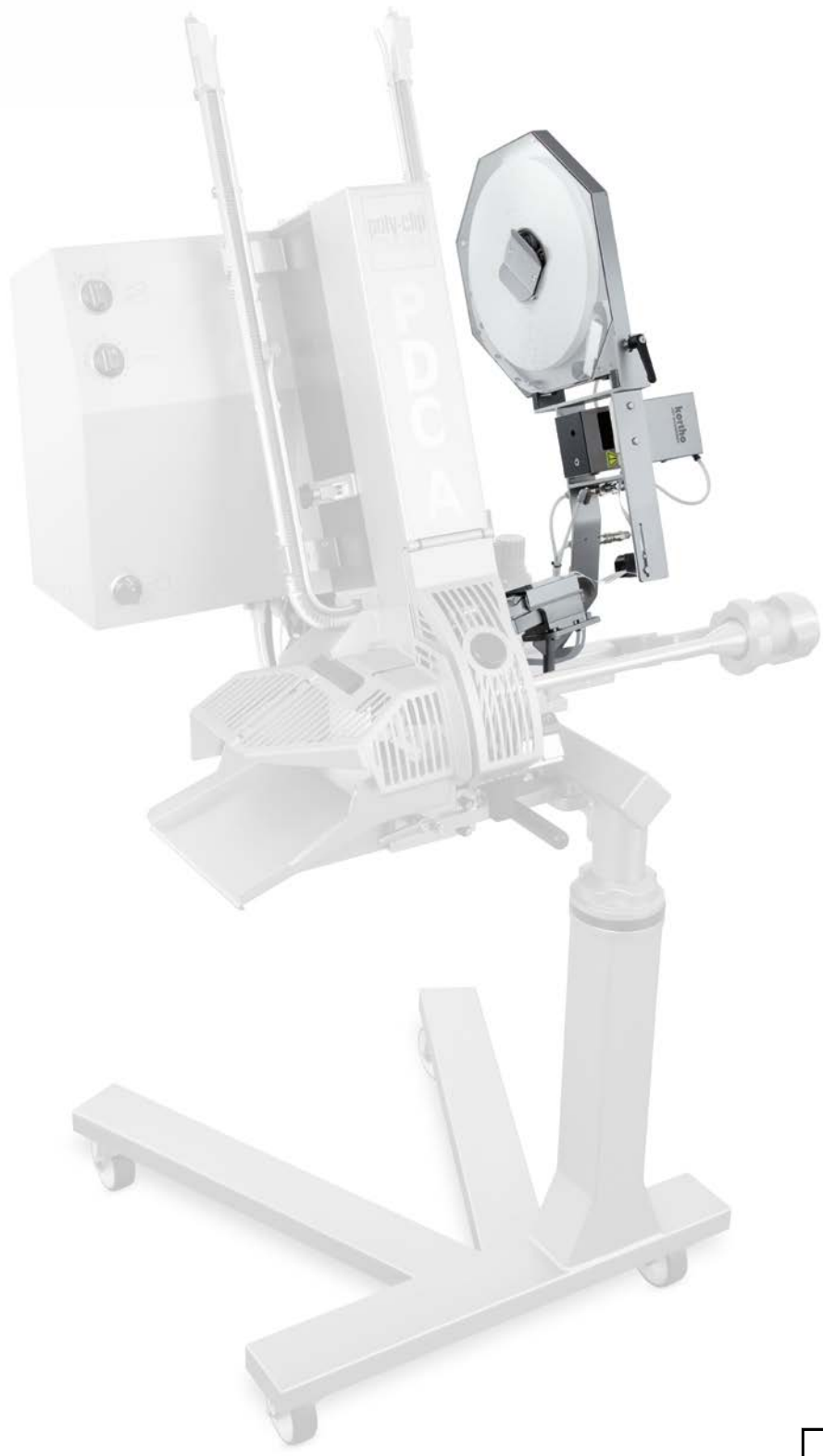




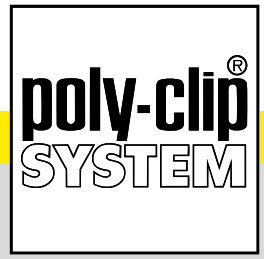
LOT:N676  
00.00.00

# ES 4000

Labelling System



innovative · reliable · leading



- Tamper-proof product marking
- Batch tracing
- Individual up-to-date data
- Retrofitting possible any time
- Can be combined with the PDC and PDC-A

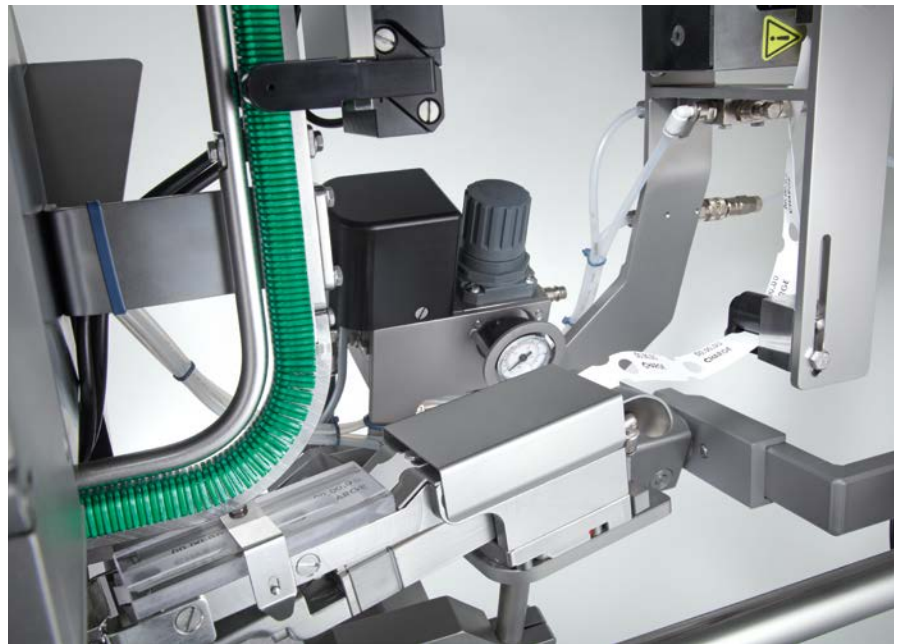
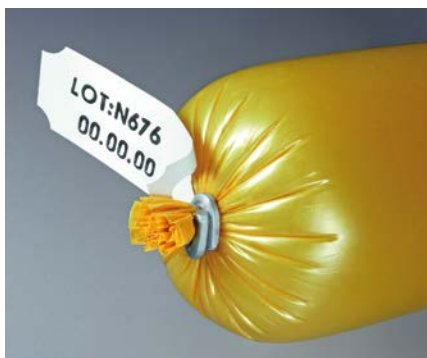
## Applications

With the ES 4000, up-to-date data can be printed on a label during production and the label can be attached in a tamper-proof manner directly on the product during clipping. The system was especially developed for automatic double-clippers of the PDC and PDC-A series, and all products within a calibre range of 20 to 115 mm can be provided with a label. Suitable for plastic, fibrous, collagen and natural casings. Exact labelling and batch tracing is possible any time.

## Advantages

- Product marking during production
- Tamper-proof labelling
- Hot stamping printer for clean, exact printing
- Prints all product-specific, up-to-date data for exact batch tracing
- Printing range 24 x 12 mm
- Printing plate with up to eight characters or letters in a maximum of two lines
- Easy exchange of the printing plate even during production

Simple and safe: Marking by printed labels



Tamper-proof product marking during production

- The inking rollers are available in different colours
- Hygienic
  - Label dispenser, attachment kits and hot stamping printer are made completely from stainless steel or industrial plastic
  - The printer can be removed for high-pressure cleaning of the machine

## Optional equipment

- Set of text types
- Set of numeric characters
- Set of dates
- Additional printing plate

## Labels

- 5,000 labels per reel
- Blank or coloured
- Abrasion-resistant, resistant to boiling water
- Pre-printed with customer logo or as decorative label with individual print

## Function

The ES 4000 labelling system is mounted directly to the PDC/ PDC-A. The labels are transported to the hot stamping printer, printed and routed to the separators via a guide rail. The label is clipped during clipping.