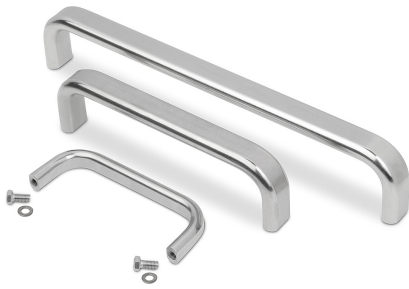


Item description/product images



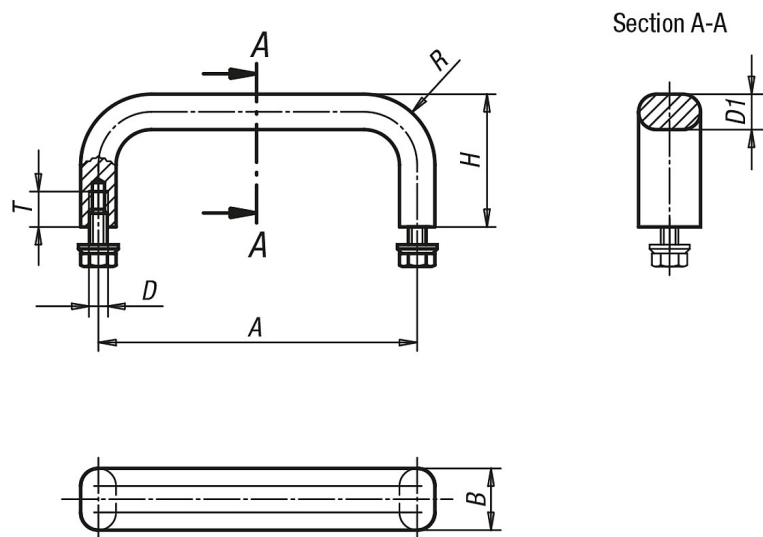
Description

Material:
Handle stainless steel 1.4305
Fasteners 1.4301

Version:
Semi-gloss ground

Note:
Stainless steel pull handles are used mainly in the food industry and medical, laboratory and nuclear technology. Designed for heaviest loading and high chemical and corrosion resistance.

Drawings



Overview of items

Order No.	A	B	D	D1	H	R	T	Load capacity N
20-28-1	100	12	M5x10	8	40	22	10	1.000
20-28-2	120	12	M5x10	8	40	22	10	1.000
20-28-3	150	12	M5x10	8	40	22	10	1.000
20-28-4	180	12	M5x10	8	40	22	10	1.000
20-28-5	250	12	M5x10	8	40	22	10	1.000
20-28-6	100	19,5	M6x12	10	45	24	12	1.000
20-28-7	120	19,5	M6x12	10	45	24	12	1.000
20-28-8	150	19,5	M6x12	10	45	24	12	1.000
20-28-9	180	19,5	M6x12	10	45	24	12	1.000
20-28-10	250	19,5	M6x12	10	45	24	12	1.000