

Item description/product images



Description

Material:

Stainless steel 1.4404.
 Surface high-gloss polished.

Note:

Cap nut with collar for Hygienic Usit® sealing and shim washer.

Only the combination of a Hygienic Usit® sealing and shim washer and the specially designed cap nuts assures a cavity-free seal.

This is essential especially in product contact areas or within aseptic insulators. The surface of the nuts and the contact face of the sealing and shim washer are high-gloss polished. Thanks to the extremely high quality surface finish of less than Ra 0.8 µm, almost no dirt particles adhere to the surface. Easy cleaning is assured by the high-gloss polished surface.

No countersink or recess on the screw head, no embossing or tothing beneath the flange.

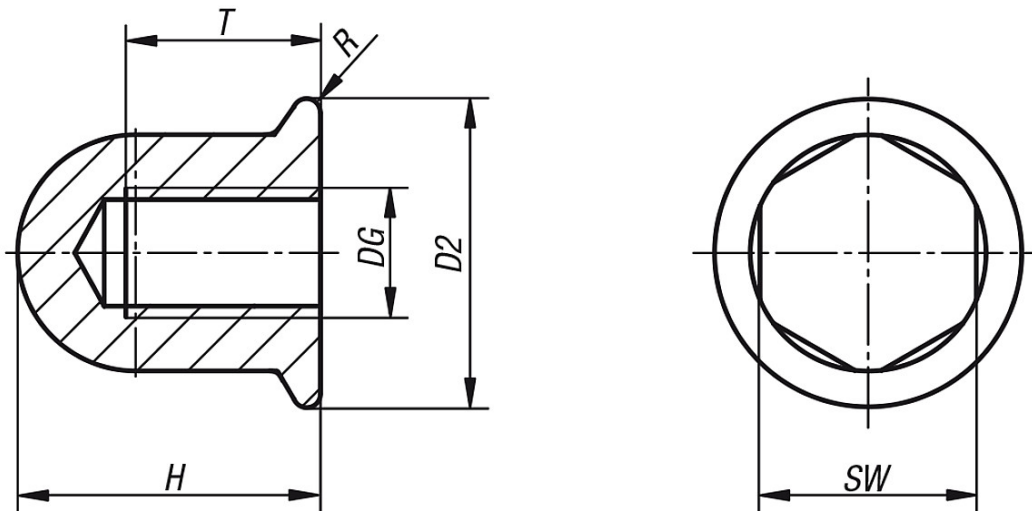
On request:

Tool from SW 8 mm - SW 24 mm.

Accessory:

Hygienic Usit® sealing and shim washer 80-117

Drawings



Overview of items

Order No.	DG	D2	H	R	SW	T
80-119-10	M3	10,8	10	0,45	7	7
80-119-0	M4	10,8	10	0,45	7	7
80-119-1	M5	11,8	12	0,45	8	8
80-119-2	M6	14,2	14	0,45	10	9
80-119-3	M8	18	18	0,45	13	12
80-119-4	M10	22,3	22	0,45	16	15
80-119-5	M12	26,6	27	0,45	18	19
80-119-6	M16	35	30	0,45	24	22