



Specification Sheet

HML110 Mag Meter Converter

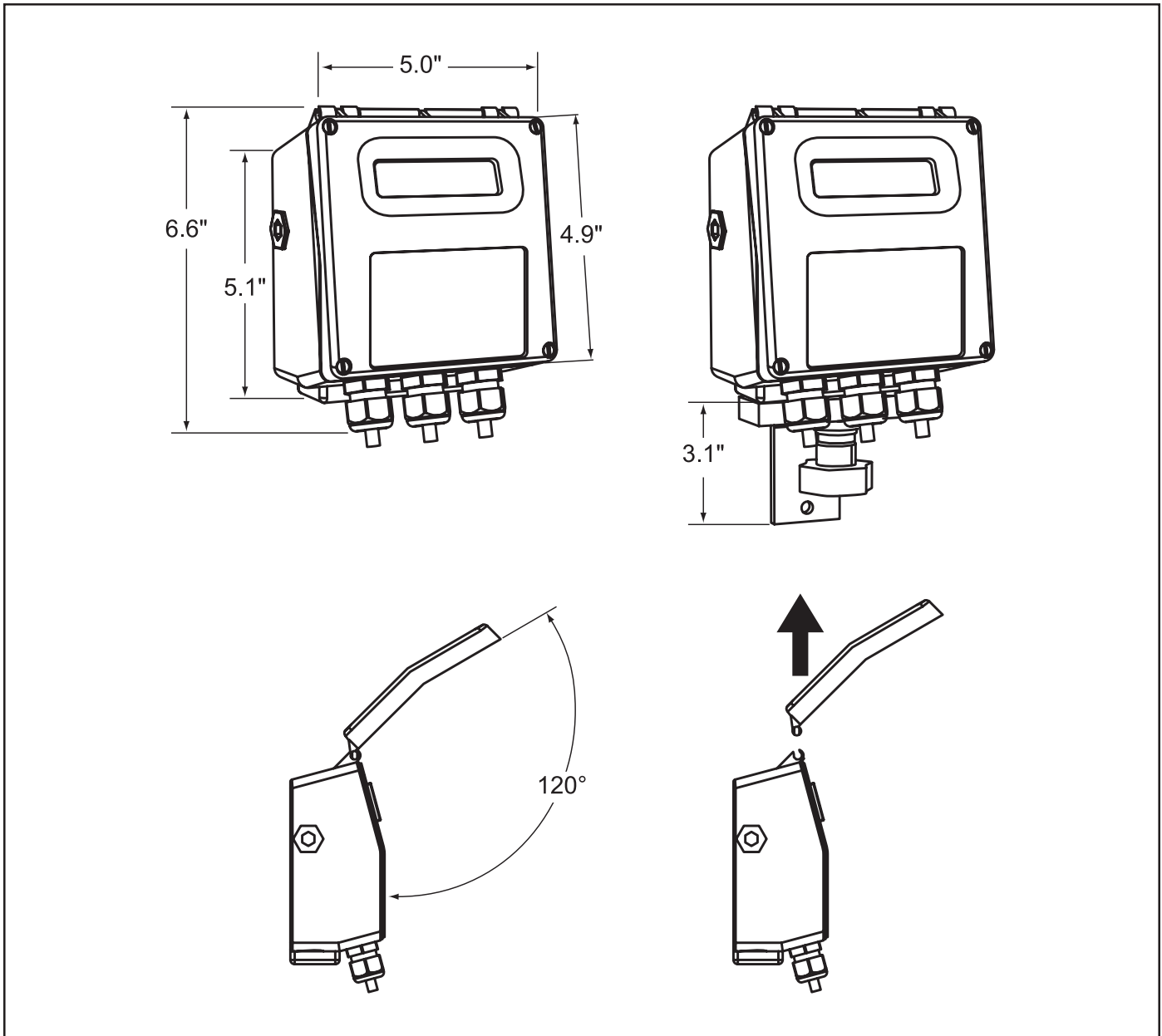


The HML110 Converter is for use with HMS1000, HMS2500 (less than 40"), HMS3700, and HMS3770 series flow sensors. The converter is a programmable, microprocessor-driven unit providing automatic zeroing, EEPROM data protection on loss of power, empty pipe detection, and self diagnostics. The unit has three internal programming keys and is available with an optional two-line (16 character per line) backlit display.



| | |
|-------------------------------------|---|
| Housing Material | Nylon with glass fiber |
| Protection Rating | IP65 |
| Temperature Rating | 32° to 122°F (0° to 50°C) |
| Display | Optional 16 character, 2 line |
| Keyboard | 3 internal programming keys |
| Pulse/Freq Output | 1,250 Hz maximum |
| Current Output | 0/4-20 mA |
| Serial Output | No |
| Alarm Output | Programmable |
| Batch Function | No |
| Bi-Directional Flow | Yes |
| Empty Pipe Detection | Yes |
| Programming Input | PC or hand held terminal (HMT200) |
| Accuracy | ±0.8%, (±0.4% optional) |
| Repeatability | 0.2% |
| Power Supply and Consumption | 90-265VAC@ 45-66 HZ, 5VA 10-63 VDC, 3W 15-45 VAC@ 45-66 Hz, 4VA |
| Sensor Compatibility | HMS501, HMS1000, HMS2410, HMS2500 up to 40" HMS3700, HMS 3770 |
| Panel Mount Option | No |

Dimensions



NOTE: Dimensions shown are not for construction use.
Consult factory when certified Engineering Drawings are required.



LIQUID CONTROLS

A Unit of IDEX Corporation
105 Albrecht Drive
Lake Bluff, IL 60044-2242
1.800.458.5262 • 847.295.1050
Fax: 847.295.1057
www.lcmeter.com

© 2005 Liquid Controls
(01/25/05)

