

Item description/product images



Description

Material:

Steel parts stainless steel 1.4404.
 Surface high-gloss polished.

Note:

The low collar makes the mushroom knob ideal for manual pull and push movements.

The complete surface is polished to a high gloss with a surface finish of much less than Ra 0.8 µm. The contour is produced with generous radii and transitions. It doesn't matter in which position the mushroom knob is mounted, dirt and residue from products or cleaners seldom adheres. Easy cleaning is ensured.

The Hygienic USIT® sealing and shim washers from Freudenberg Process are used to seal the screw-on point. The shaft of the mushroom knob is specially designed to suit this seal. An almost cavity-free seal of the screw-on point is created which satisfies hygienic regulations.

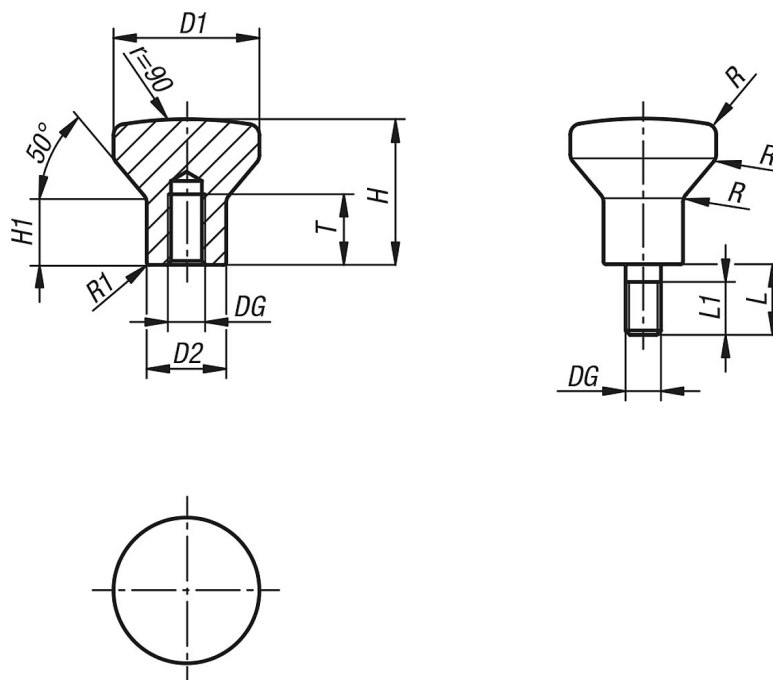
On request:

Inch threads, thread lengths, form variations.

Accessory:

Hygienic Usit® sealing and shim washer 80-117 for the screw-on surface.

Drawings



Overview of items

Order No.	Version	DG	D1	D2	H	H1	T	R	R1
20-53-1	internal thread	M4	20	10,8	19	8	10	3	0,45
20-53-2	internal thread	M5	21	11,8	21	10	12	3	0,5

Overview of items

Order No.	Version	DG	D1	D2	H	H1	T	R	R1
20-53-3	internal thread	M6	25	14,2	25	12	12	3	0,55
20-53-4	internal thread	M8	33	18	33	15	16	4	0,6
20-53-5	internal thread	M10	40	22,3	40	19	20	4	0,75

Order No.	Version	DG	D1	D2	H	H1	L	L1	R	R1
20-54-1	external thread	M4	20	10,8	19	8	8	7	3	0,45
20-54-2	external thread	M5	21	11,8	21	10	10	9	3	0,5
20-54-3	external thread	M6	25	14,2	25	12	12	11	3	0,55
20-54-4	external thread	M8	33	18	33	15	16	15	4	0,6
20-54-5	external thread	M10	40	22,3	40	19	20	19	4	0,75