

Item description/product images



Description

Material:

Stainless steel 1.4308.

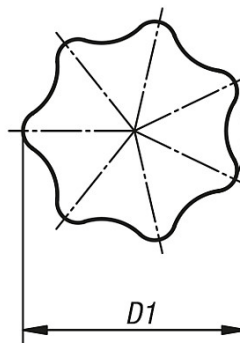
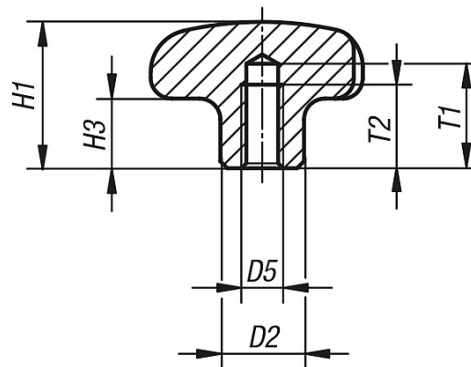
Version:

Ground and polished.

On request:

External thread.

Drawings

Form E
tapped blind hole

Overview of items

Order No.	D1	D2	D5	H1	H3	T1	T2
20-4-1	32	12	M6	21	10	15	12
20-4-2	40	14	M8	26	13	18	15
20-4-3	50	18	M10	34	17	21	18
20-4-4	63	20	M12	42	21	25	22

Overview of items
