

## Item description/product images



## Description

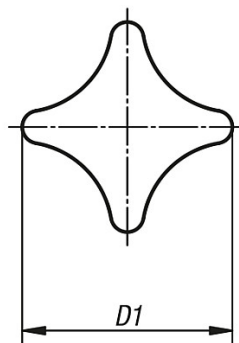
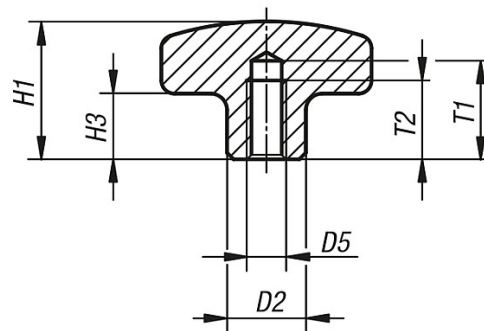
**Material:**  
Stainless steel 1.4308.

**Version:**  
Ground and polished.

**On request:**  
External thread.

## Drawings

Form E  
tapped blind hole



## Overview of items

Order No.	D1	D2	D5	H1	H3	T1	T2
20-3-1	32	12	M6	21	10	15	12
20-3-2	40	14	M8	26	13	18	15
20-3-3	50	18	M10	34	17	21	18
20-3-4	63	20	M12	42	21	25	22

**Overview of items**

---