

## Item description/product images

**Description****Material:**

Housing and actuation: 1.4404.

Earthing nut and ratchet screw: 1.4301.

Seal: blue silicon, FDA conform.

**Note for ordering:**

Please order required tongue version separately. For matching tongues see product group 100-59. Every tongue can be combined with the housing.

For actuation either the key 100-12-10 is required or the open-ended spanner 300-201-6 together with the protective caps 300-201-106.

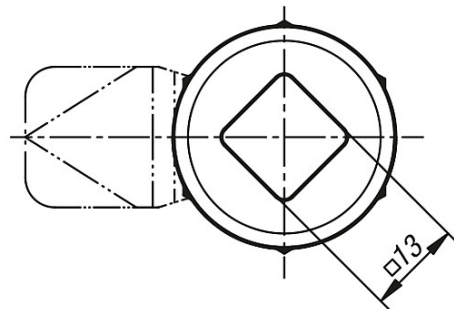
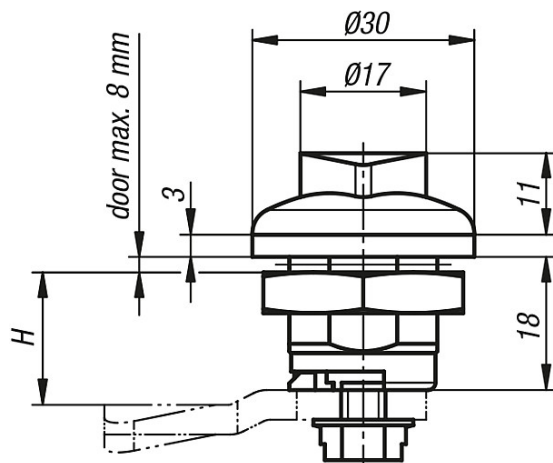
**Note:**

The hygienic stainless steel quarter turn lock prevents bacterial attack and fulfils the strict regulations of testing principles for foodstuff machinery and hygien.

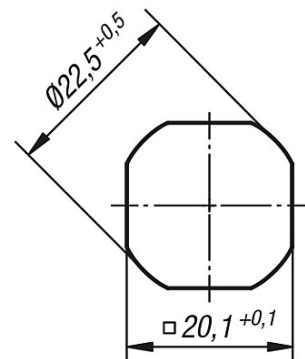
The well conceived geometric form, the mirror polished stainless steel surface and the central circumferential seal reliably prevent dirt accumulation. Water, cleaning agents etc. can drain off fully and so prevent contamination.

Especially in processes where the resistance of the seal to cleaning and disinfection agents is very important, optimised control cabinets, terminal boxes and command panels are a must. Specifically designed after the principles of Hygienic DESIGN, the hygienic quarter turn lock HD fulfils the strict regulations of the foodstuff processing industry and passes therefore optimally in their professional hygienic applications. The special seal is suitable for high pressure washing up to max. 100 bar and fulfils IP65/67. Furthermore, the seal is temperature stable up to 80°C and the blue colour satisfies FDA regulations (reliably prevents a confusion with foodstuffs).

## Drawings



Mounting cutout:



## Overview of items

Order No.	Article description	H
100-67-2	Hygienic lock acc. to DIN EN 1672-2:2009 1.4404, seal blue silicon	siehe 100-59

Order No.	Article description	SW
100-12-10	Key for hygiene toggle lock 100-12 GD-Zn	13
300-201-6	Combination spanner Hazet AF 16 modified with hole	16
300-201-106	Protective cap for open-end spanner aluminium bright AF16/AF13	16