

Modular structure of a swivel pad

Technical Information

Application:

Swivel pads are of modular construction. The components can be individually combined depending on the application. Swivel pads are used on machinery and installations and even office furniture.

Modular construction:

The swivel pads comprise of two components: a plate and a threaded spindle. Any plate can be combined with any threaded spindle (see Fig 1).

Assembly:

Drive the ball of the threaded spindle vertically into the swivel pad plate using a plastic hammer.

Swivel pad height:

Regardless of the plate or threaded spindle size, the swivel pad height H is always min. 22.5 mm (see Fig. 2). The height of the complete swivel pad is calculated from the length of the threaded spindle + height of hexagon + 22.5 mm.

(Total height of swivel pad = $L + L1 + 22.5$ mm).

Figure 1

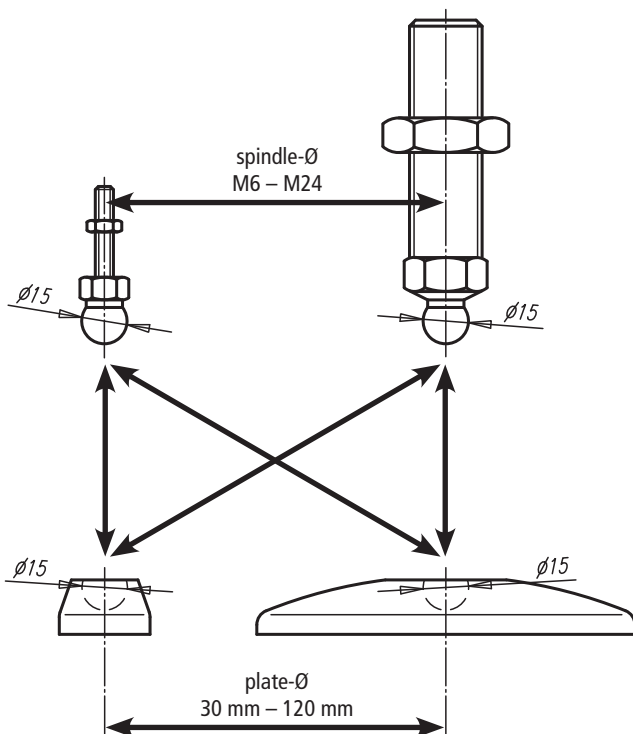
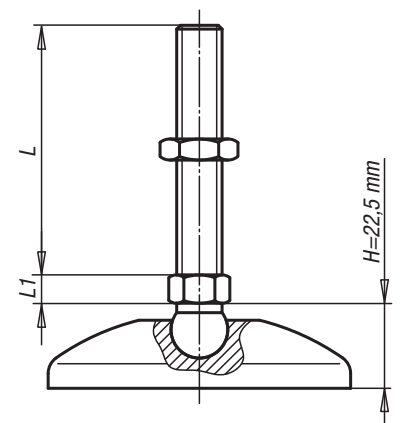


Figure 2



Inclination angle of threaded spindle:

