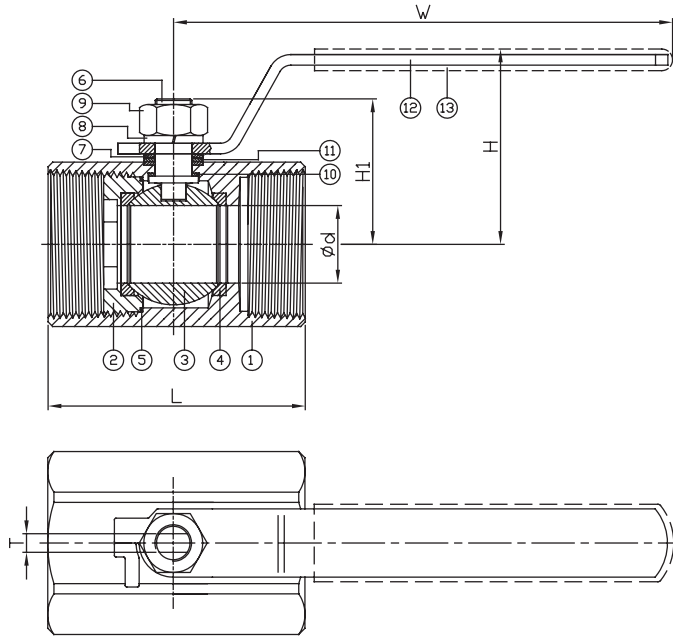




## FEATURES

- Reduced port, 1/4"~2" (DN8~DN50)
- W.P. : 1000 WOG (PN63)
- W.T. : -20°C~200°C (-4°F~392°F)
- Investment casting
- Blow-out proof stem
- Anti-static device (option)
- Thread type : ASME B1.20.1 (NPT)  
DIN2999 & BS21  
ISO7/1 & EN10226



ITEM	PARTS	MATERIAL	
1	BODY	ASTM A351-CF8M	ASTM A216-WCB
2	RETAINER		
3	BALL	ASTM A351-CF8M	
4	SEAT	PTFE / RTFE	
5	SEAL	PTFE	
6	STEM	ASTM A276-316	
7	FLAT WASHER	AISI 304	
8	SPRING WASHER		
9	STEM NUT		
10	THRUST WASHER	PTFE	
11	PACKING		
12	HANDLE	STAINLESS STEEL	
13	HANDLE SLEEVE	PVC	

DN	d	L	H	H1	T	W
8	5	39	35.5	17	3	62.7
10	7	44	37.1	21.4	4	72.9
15	9	56.5	42.4	26.1	5	88.2
20	12.5	59	45.9	28.8	5	88.2
25	15	71	48.5	36.5	6	106
32	20	78	54	40.5	6	106
40	25	83	65.5	46.5	8	153
50	32	100	71.5	51	8	153

unit:mm

NPS	d	L	H	H1	T	W
1/4"	0.2	1.54	1.4	0.67	0.12	2.47
3/8"	0.28	1.73	1.46	0.84	0.16	2.87
1/2"	0.35	2.22	1.67	1.03	0.2	3.47
3/4"	0.49	2.32	1.81	1.13	0.2	3.47
1"	0.59	2.8	1.91	1.44	0.24	4.17
1-1/4"	0.79	3.07	2.13	1.59	0.24	4.17
1-1/2"	0.98	3.27	2.58	1.83	0.31	6.02
2"	1.26	3.94	2.81	2.01	0.31	6.02

unit:in