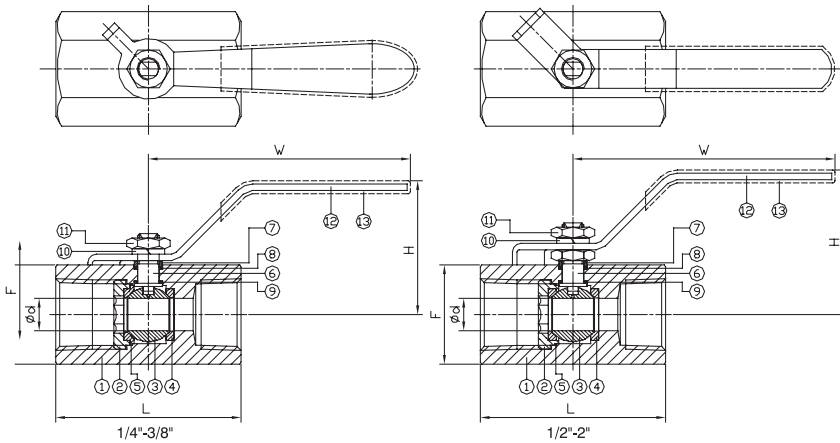




FEATURES

- Reduced port, 1/4"~2" (DN8~DN50)
- W.P. : 2000 WOG (PN150)
- W.T. : -20°C~200°C (-4°F~392°F)
- **Forged body**
- Blow-out proof stem
- Anti-static device (option)
- NACE MR0175
- ASME B16.34 Wall thickness
- Thread type : ASME B1.20.1 (NPT)
DIN2999 & BS21
ISO7/1 & EN10226



ITEM	PARTS	MATERIAL
1	BODY	ASTM A105
2	RETAINER	
3	BALL	ASTM A351-CF8
4	SEAT	CTFE / RTFE
5	SEAL	
6	STEM	AISI 304
7	GLAND RING	
8	PACKING	CTFE / RTFE
9	THRUST WASHER	
10	SPRING WASHER	AISI 304
11	NUT	
12	HANDLE	STAINLESS STEEL
13	HANDLE SLEEVE	PVC

DN	d	L	H	F	W
8	5	43.2	27.5	21	60
10	7	47.2	25.5	25	79
15	9	62.5	51.9	30	118
20	12.5	69.9	59.8	36	118
25	15	85.9	67	46	120
32	20	93.7	75.5	55	146
40	25	101.6	78.5	61	146
50	32	114.3	81.5	75	152

unit:mm

NPS	d	L	H	F	W
1/4"	0.2	1.7	1.08	0.83	2.36
3/8"	0.28	1.86	1	0.98	3.11
1/2"	0.35	2.46	2.04	1.18	4.65
3/4"	0.49	2.75	2.35	1.42	4.65
1"	0.59	3.38	2.64	1.81	4.72
1-1/4"	0.79	3.69	2.97	2.17	5.75
1-1/2"	0.98	4	3.09	2.4	5.75
2"	1.26	4.5	3.21	2.95	5.98

unit:in

