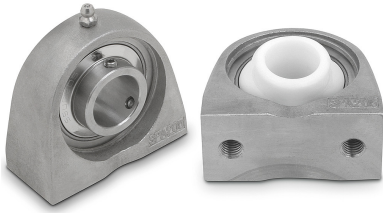


Item description/product images



Description

Material:

Housing 1.4301.

Ball bearing 1.4112.

Plain bearing POM.

Version:

Plain bearing insert white.

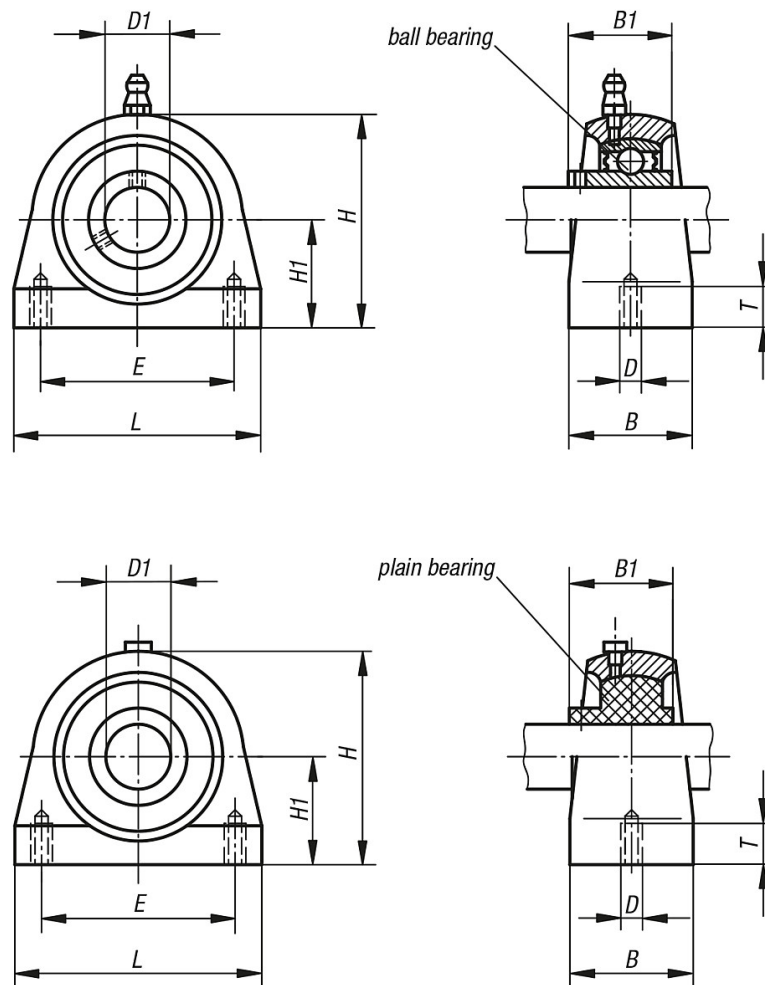
Stainless steel parts bright.

Note:

These stainless steel pillow block bearings have the same operating dimensions as the standard bearing housings of the major manufacturers, and can so be used or exchanged in existing constructions.

Suitable protective caps: 50-28, 50-29.

Drawings



Overview of items

Order No.	Version	Size	D1	H1	L	H	E	D	T	B	B1
50-25-0	stainless steel bearing	201	12	33,3	73	65	50,8	M8	10	38	31
50-25-1	stainless steel bearing	202	15	33,3	73	65	50,8	M8	10	38	31
50-25-2	stainless steel bearing	204	20	33,3	73	65	50,8	M8	10	38	31
50-25-3	stainless steel bearing	205	25	36,7	76	71	50,8	M10	12,5	38	34
50-25-4	stainless steel bearing	206	30	42,9	102	86	76,1	M10	12,5	38	38,1
50-25-5	stainless steel bearing	207	35	47,6	108	95	82,6	M10	12,5	48	42,9
50-25-6	stainless steel bearing	208	40	49,2	117	100	88,9	M12	15	48	49,2

Order No.	Version	Size	D1	H1	L	H	E	D	T	B	B1
50-25-910	plain bearing insert POM	201	12	33,3	73	65	50,8	M8	10	38	31
50-25-11	plain bearing insert POM	202	15	33,3	73	65	50,8	M8	10	38	31
50-25-12	plain bearing insert POM	204	20	33,3	73	65	50,8	M8	10	38	31
50-25-13	plain bearing insert POM	205	25	36,7	76	71	50,8	M10	12,5	38	34
50-25-14	plain bearing insert POM	206	30	42,9	102	86	76,1	M10	12,5	38	38,1
50-25-15	plain bearing insert POM	207	35	47,6	108	95	82,6	M10	12,5	48	42,9
50-25-16	plain bearing insert POM	208	40	49,2	117	100	88,9	M12	15	48	49,2