

Item description/product images



Description

Material:

Housing plastic.

Ball bearing stainless steel 1.4112.

Plain bearing insert POM.

Bushes and grease nipple stainless steel 1.4301.

Version:

Plain bearing insert white.

Housing green.

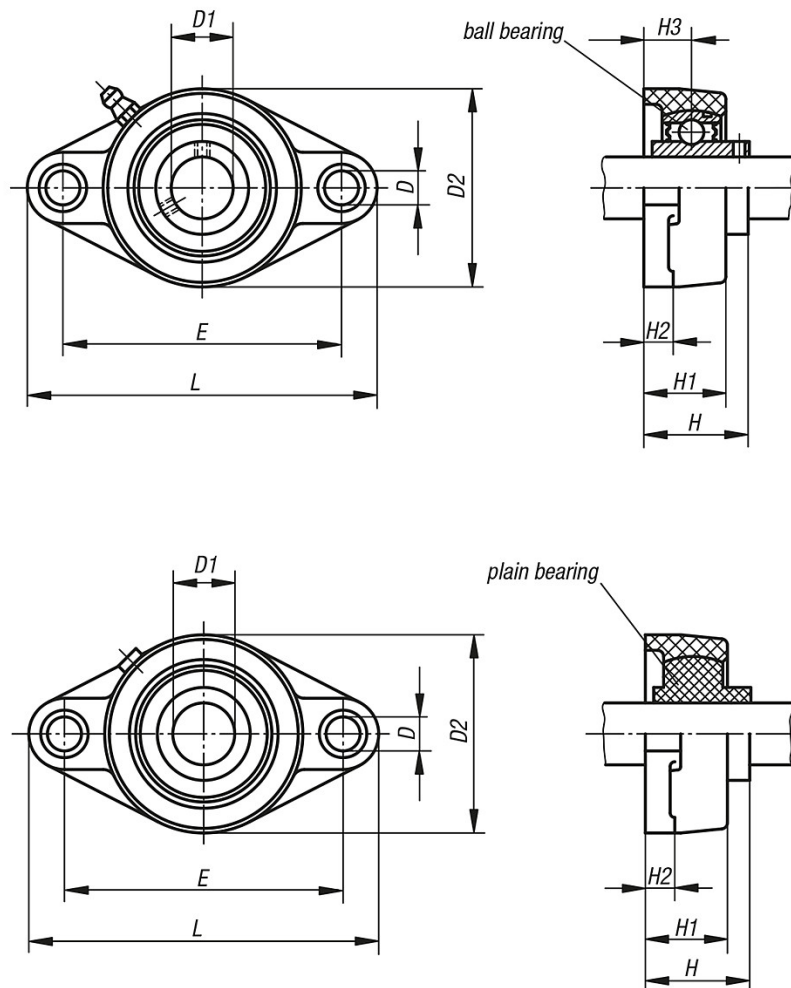
Stainless steel parts bright.

Note:

The housings are very robust, hard wearing and shock proof. They are resistant to most alkaline solutions, weak acids (PH 4-9) and brines. In contrast to cast or steel housings the special plastic in these housings prevent the formation of micro-organisms.

Suitable dust caps 50-28, 50-29.

Drawings



Overview of items

Order No.	Version	Size	D1	L	E	D2	D	H	H1	H2	H3
50-23-0	stainless steel bearing	201	12	114	90	65	11	33,7	26,5	11,4	15,4
50-23-1	stainless steel bearing	202	15	114	90	65	11	33,7	26,5	11,4	15,4
50-23-2	stainless steel bearing	204	20	114	90	65	11	33,7	26,5	11,4	15,4
50-23-3	stainless steel bearing	205	25	131	99	69,5	11	36,7	29,1	13,5	17
50-23-4	stainless steel bearing	206	30	148	117	80	11	41,2	30,5	13,3	19
50-23-5	stainless steel bearing	207	35	164	130	90	13	43,4	32,8	16,1	18
50-23-6	stainless steel bearing	208	40	176	144	100	14	51,7	37,5	20	21,5

Order No.	Version	Size	D1	L	E	D2	D	H	H1	H2
50-23-910	plain bearing insert POM	201	12	114	90	65	11	33,7	26,5	11,4
50-23-11	plain bearing insert POM	202	15	114	90	65	11	33,7	26,5	11,4
50-23-12	plain bearing insert POM	204	20	114	90	65	11	33,7	26,5	11,4
50-23-13	plain bearing insert POM	205	25	131	99	69,5	11	36,7	29,1	13,5
50-23-14	plain bearing insert POM	206	30	148	117	80	11	41,2	30,5	13,3
50-23-15	plain bearing insert POM	207	35	164	130	90	13	43,4	32,8	16,1
50-23-16	plain bearing insert POM	208	40	176	144	100	14	51,7	37,5	20