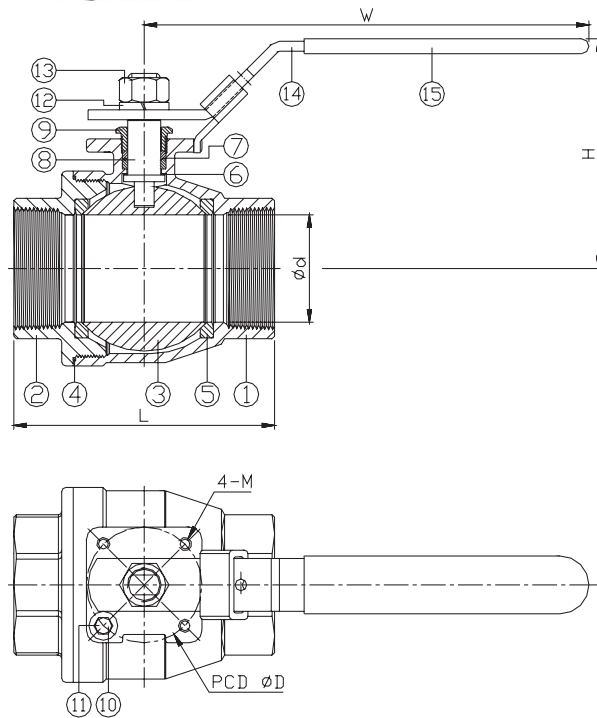




FEATURES

- Full port, 1/4"~3" (DN8~DN80)
- W.P. : 1000 WOG (PN63)
- W.T. : -20°C~200°C (-4°F~392°F)
- Investment casting
- Blow-out proof stem
- Anti-static device (option)
- Locking device
- IOS 5211 Mounting pad
- **TA-Luft approved**

- Thread type : ASME B1.20.1 (NPT)
DIN2999 & BS21
ISO7/1 & EN10226



ITEM	PARTS	MATERIAL
1	BODY	ASTM A351-CF8M
2	CAP	
3	BALL	PTFE
4	SEAL	
5	SEAT	PTFE / RTFE
6	THRUST WASHER	PTFE
7	PACKING	
8	STEM	ASTM A276-316
9	GLAND RING	AISI 304
10	STOP	
11	BOLT	
12	SPRING WASHER	
13	NUT	
14	HANDLE	PVC
15	HANDLE SLEEVE	

DN	d	L	H	W	D	M	Torque (N-m)	Weight (kg)
8	11.5	50.5	51	102	36	M5*0.8	5.2	0.3
10	12.7	50.5	51	102	36	M5*0.8	5.2	0.3
15	15	60	53	102	36	M5*0.8	6.5	0.3
20	20	70	60	127	36	M5*0.8	6.5	0.5
25	25	82	78	160	42	M5*0.8	7.5	0.9
32	32	95	83	160	42	M5*0.8	10.4	1.3
40	38	108	94	200	50	M6*1.0	15	1.9
50	50	135	102	200	50	M6*1.0	20	3.3
65	65	158	139	270	70	M8*1.25	60	6.1
80	80	185	150	270	70	M8*1.25	80	9.7

unit:mm

NPS	d	L	H	W	D	M	Torque (in-lb)	Weight (lb)
1/4"	0.45	1.99	2.01	4.02	1.42	M5*0.8	46	0.6
3/8"	0.5	1.99	2.01	4.02	1.42	M5*0.8	46	0.6
1/2"	0.59	2.36	2.09	4.02	1.42	M5*0.8	57.5	0.7
3/4"	0.79	2.76	2.36	5	1.42	M5*0.8	57.5	1.1
1"	0.98	3.23	3.07	6.3	1.65	M5*0.8	66.4	2
1-1/4"	1.26	3.74	3.27	6.3	1.65	M5*0.8	92.1	2.9
1-1/2"	1.5	4.25	3.7	7.87	1.97	M6*1.0	132.8	4.2
2"	1.97	5.31	4.02	7.87	1.97	M6*1.0	177	7.2
2-1/2"	2.56	6.22	5.47	10.63	2.76	M8*1.25	531	13.4
3"	3.15	7.28	5.91	10.63	2.76	M8*1.25	708.1	21.4

unit:in