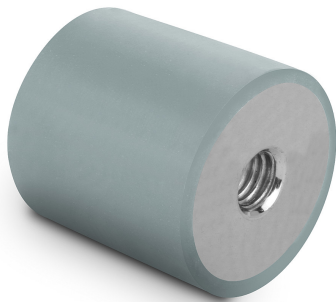


Item description/product images



Description

Material, version:

Metal parts, stainless steel 1.4401.

Elastomer, natural rubber, hardness medium Shore 55A, grey.

Note:

Rubber-metal buffers are widely-used construction devices that serve as elastic supports. They are used, among other things, as mounting elements for plant units, motors, compressors, pumps and testing machines.

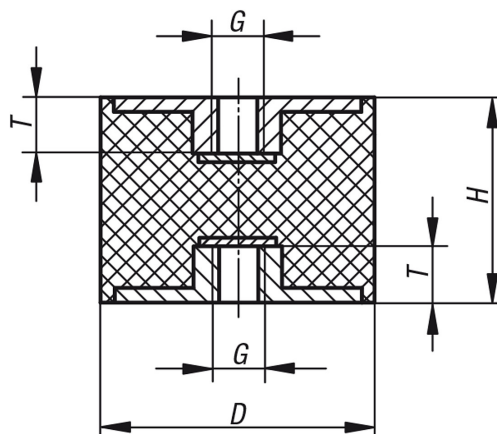
Temperature range:

-30°C to +80°C.

On request:

Metal parts, stainless steel 1.4301.

Drawings



Overview of items

| Order No. | D | H | G | T | Approx. weight kg |
|-----------|----|----|-----|----|-------------------|
| 50-171-1 | 10 | 10 | M4 | 4 | 0,002 |
| 50-171-2 | 10 | 15 | M4 | 4 | 0,002 |
| 50-171-3 | 15 | 15 | M4 | 4 | 0,005 |
| 50-171-4 | 20 | 20 | M6 | 5 | 0,014 |
| 50-171-5 | 20 | 25 | M6 | 5 | 0,017 |
| 50-171-6 | 25 | 20 | M6 | 5 | 0,024 |
| 50-171-7 | 25 | 25 | M6 | 5 | 0,027 |
| 50-171-8 | 25 | 30 | M6 | 5 | 0,03 |
| 50-171-9 | 30 | 20 | M8 | 7 | 0,035 |
| 50-171-10 | 30 | 30 | M8 | 7 | 0,044 |
| 50-171-11 | 30 | 40 | M8 | 7 | 0,05 |
| 50-171-12 | 40 | 30 | M8 | 7 | 0,078 |
| 50-171-13 | 40 | 40 | M8 | 7 | 0,093 |
| 50-171-14 | 50 | 30 | M10 | 8 | 0,126 |
| 50-171-15 | 50 | 40 | M10 | 8 | 0,145 |
| 50-171-16 | 50 | 50 | M10 | 8 | 0,169 |
| 50-171-17 | 75 | 40 | M12 | 10 | 0,366 |
| 50-171-18 | 75 | 50 | M12 | 10 | 0,425 |

Overview of items
