

## Item description/product images

**Description****Material:**

Combination spanner tool steel.

Protective cap AISi1MgMn.

**Note:**

The protective cap was specially developed for tightening and loosening screw connections with sensitive surfaces. With normal tools, the surface of polished screws are so damaged even by the first tightening, that cavities are created making easy and effective cleaning no longer possible.

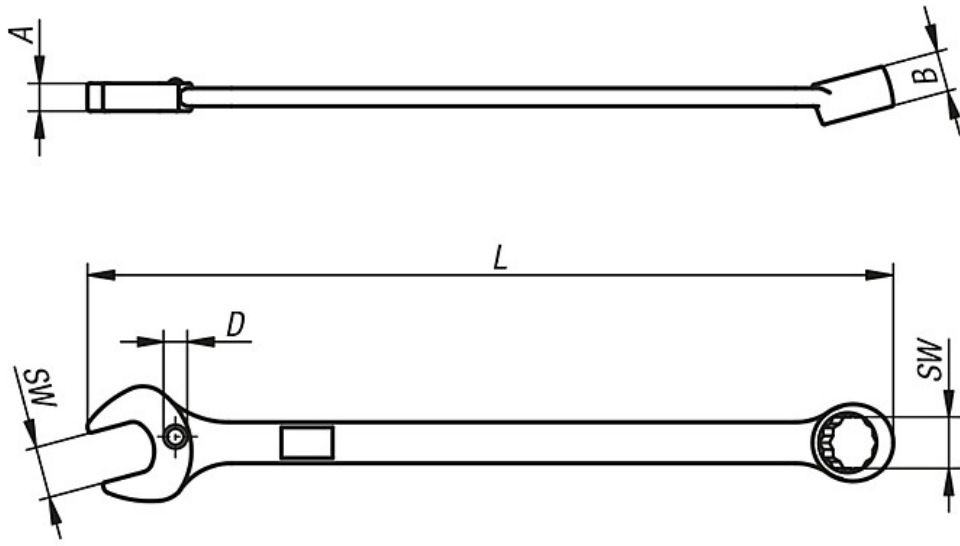
The protective caps ensure damage free tightening and loosening of fasteners with outer contours. The soft aluminium leaves no scratches or other damage on sensitive surfaces. As the aluminium cap is placed over the hard tool steel, the actual tightening load / tightening torque is taken up by the combination spanner. By proper and professional use the protective caps have a service life of ca. 1000 operating cycles.

Additionally, with the protective caps the risk of contact corrosion is reliably prevented on stainless steel fasteners. The projecting contour largely prevents unintentional contact points between spanner and stainless steel screw. The protective caps are made of the aluminium alloy EN AW 6082 and so comply with EN 602 - aluminium in contact with food. The protective cap is safely held in the spanner by a special moulding or sprung clip element. The cap cannot fall out on its own. The closed protective caps are changed manually.

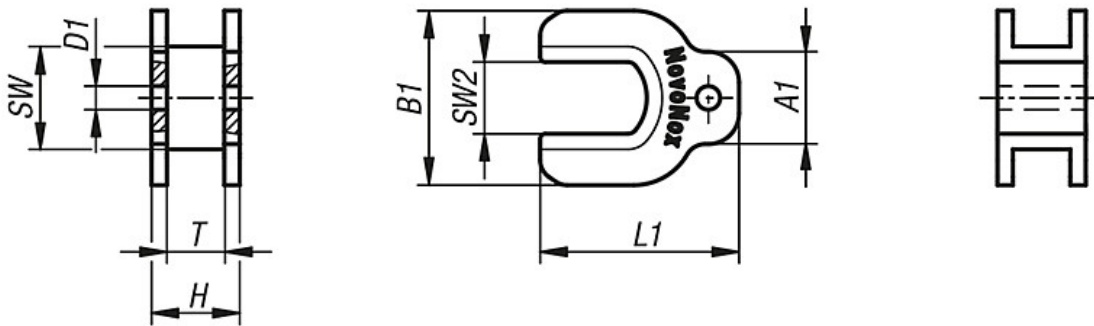
**On request:**

Other sizes.

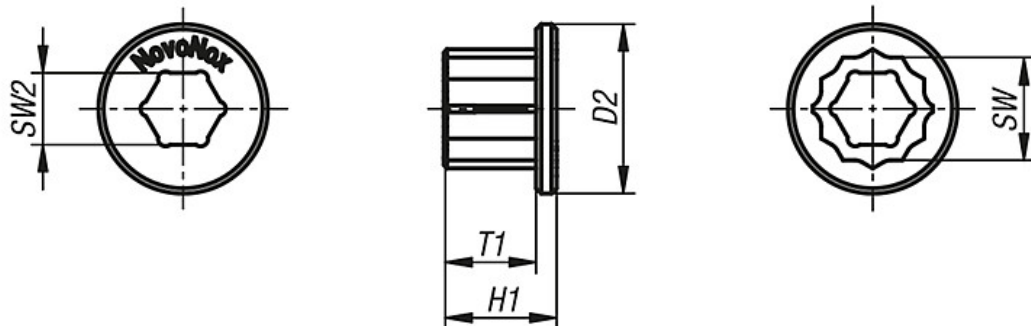
Drawings



Protective cap for open-end spanner



Protective cap for ring spanner



## Overview of items

Order No.	Article description	SW	A	B	L	D
300-201-3	Combination spanner Hazet AF 10 modified with hole	10	5	8	154,5	5
300-201-4	Combination spanner Hazet AF 11 modified with hole	11	5,5	8,4	168,5	5
300-201-5	Combination spanner Hazet AF 13 modified with hole	13	6,3	10	193	6
300-201-6	Combination spanner Hazet AF 16 modified with hole	16	7	11,4	230,5	6
300-201-7	Combination spanner Hazet AF 19 modified with hole	19	8	13,5	268,5	7
300-201-8	Combination spanner Hazet AF 21 modified with hole	21	8,5	13,7	292	7
300-201-9	Combination spanner Hazet AF 27 modified with hole	27	10,5	16	380	9

Order No.	Article description	SW	SW2	A1	B1	L1	D1	T	H
300-201-103	Protective cap for open-end spanner Aluminium bright AF10/AF7	10	7	9	17	19,4	2,3	5,6	8,6
300-201-104	Protective cap for open-end spanner Aluminium bright AF11/AF8	11	8	9	18	20,7	2,3	5,7	8,7
300-201-105	Protective cap for open-end spanner aluminium bright AF13/AF10	13	10	10	22	23,2	3	6,7	10,7
300-201-106	Protective cap for open-end spanner aluminium bright AF16/AF13	16	13	13	27	28,6	3	7,7	11,7
300-201-107	Protective cap for open-end spanner Aluminium bright AF19/AF16	19	16	13	30	32,5	4	8,6	12,6
300-201-108	Protective cap for open-end spanner Aluminium bright AF21/AF18	21	18	13	32	35	4	9	13
300-201-109	Protective cap for open-end spanner Aluminium bright AF27/AF24	27	24	14	40	43,8	4	10,8	15

Order No.	Article description	SW	SW2	D2	T1	H1
300-201-203	Protective cap for ring spanner Aluminium bright AF10/AF7	10	7	16,5	8	11
300-201-204	Protective cap for ring spanner Aluminium bright AF11/AF8	11	8	18	9,4	11,4
300-201-205	Protective cap for ring spanner Aluminium bright AF13/AF10	13	10	21	11	13
300-201-206	Protective cap for ring spanner Aluminium bright AF16/AF13	16	13	25	12,4	14,4
300-201-207	Protective cap for ring spanner Aluminium bright AF19/AF16	19	16	30	14,5	16,5
300-201-208	Protective cap for ring spanner Aluminium bright AF21/AF18	21	18	32	14,7	16,7
300-201-209	Protective cap for ring spanner Aluminium bright AF27/AF24	27	24	41	17	19