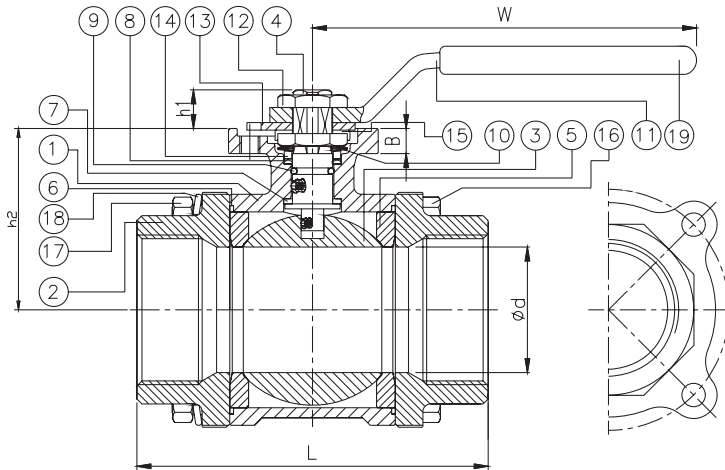
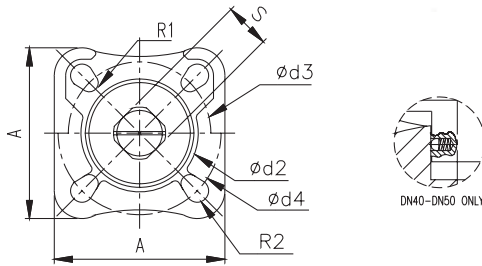




## FEATURES

- Full port, 1/4"~2" (DN8~DN50)
- W.P. : 1000 WOG (PN63)
- W.T. : -20°C~200°C (-4°F~392°F)
- Investment casting
- Blow-out proof stem
- Live-loading design
- Anti-static device
- Locking device
- ISO 5211 Direct mounting pad
- Length conform to DIN 3202/4-M3
- **ISO 15848 fugitive emission approved (option)**
- **Automation accessories (option)**
- Thread type : ASME B1.20.1 (NPT)  
DIN2999 & BS21  
ISO7/1 & EN10226



ITEM	PARTS	MATERIAL	
1	BODY	ASTM A351-CF8M	ASTM A216-WCB
2	CAP		
3	BALL	ASTM A351-CF8M	
4	STEM	ASTM A276-316	
5	SEAT	RTFE	
6	SEAL		
7	THRUST WASHER	PTFE	
8	PACKING		
9	O-RING	VITON	
10	BELLEVILLE WASHER	AISI 301	
11	HANDLE	STAINLESS STEEL	
12	STEM NUT		
13	LOCKING PAD		
14	GLAND NUT		
15	LOCKING WASHER	AISI 304	
16	BOLT		
17	NUT		
18	SPRING WASHER		
19	HANDLE SLEEVE	PVC	

DN	d	L	W	ISO 5211	A	B	S	h1	h2	d2	d3	d4	R1	R2	Torque (N-M)
8	8	55	120	F03/F04	42	6.5	9	8	40.3	31	36	42	2.75	2.75	3.6
10	10	60	120	F03/F04	42	6.5	9	8	40.3	31	36	42	2.75	2.75	3.6
15	15	75	120	F03/F04	42	6.5	9	8	40.3	31	36	42	2.75	2.75	3.6
20	20	80	120	F03/F04	42	6.5	9	9	45	31	36	42	2.75	2.75	6.1
25	25	90	148	F04/F05	50	7.5	11	10	47.5	35.5	42	50	2.75	3.5	9.9
32	32	110	148	F04/F05	50	7.5	11	11	55.5	35.5	42	50	2.75	3.5	15.6
40	38	120	178	F05/F07	70	9	14	12	65.3	56	50	70	3.5	4.5	22
50	50	140	178	F05/F07	70	9	14	12	73	56	50	70	3.5	4.5	26.8

unit:mm

NPS	d	L	W	ISO 5211	A	B	S	h1	h2	d2	d3	d4	R1	R2	Torque (in-lb)
1/4"	0.31	2.17	4.72	F03/F04	1.65	0.26	0.35	0.31	1.59	1.22	1.42	1.65	0.11	0.11	31.9
3/8"	0.39	2.36	4.72	F03/F04	1.65	0.26	0.35	0.31	1.59	1.22	1.42	1.65	0.11	0.11	31.9
1/2"	0.59	2.95	4.72	F03/F04	1.65	0.26	0.35	0.31	1.59	1.22	1.42	1.65	0.11	0.11	31.9
3/4"	0.79	3.15	4.72	F03/F04	1.65	0.26	0.35	0.35	1.77	1.22	1.42	1.65	0.11	0.11	54
1"	0.98	3.54	5.83	F04/F05	1.97	0.3	0.43	0.39	1.87	1.4	1.65	1.97	0.11	0.14	87.6
1-1/4"	1.26	4.33	5.83	F04/F05	1.97	0.3	0.43	0.43	2.19	1.4	1.65	1.97	0.11	0.14	138.1
1-1/2"	1.5	4.72	7.01	F05/F07	2.76	0.35	0.55	0.47	2.57	2.2	1.97	2.76	0.14	0.18	194.7
2"	1.97	5.51	7.01	F05/F07	2.76	0.35	0.55	0.47	2.87	2.2	1.97	2.76	0.14	0.18	237.2

unit:in

