

Item description/product images



Description

Material:

Black thermoplastic, bush and threaded bolt stainless steel 1.4305.

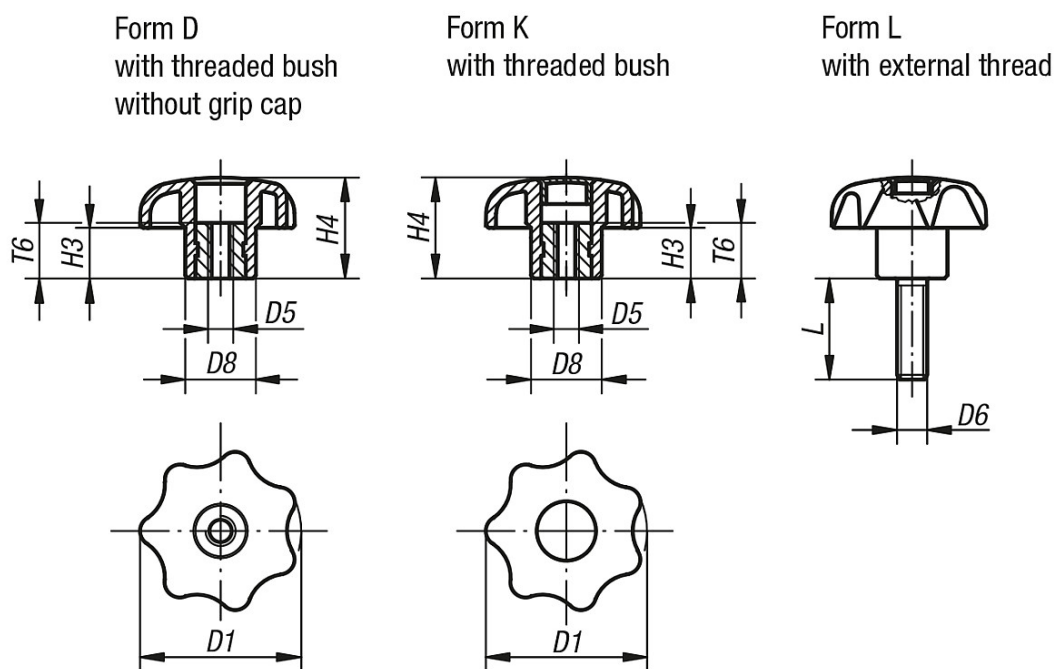
Version:

Bush and threaded pin bright. Cap black (standard).

On request:

Other cap colours or cap markings such as company logos or symbols.

Drawings



Overview of items

Order No.	Version	Form	D1	D5	D8	H3	H4	T6	Approx. weight kg
20-5-1	female thread	D	25	M5	12	8	16	10	0,008
20-5-2	female thread	D	32	M6	14	10	20	10	0,01
20-5-3	female thread	D	40	M8	18	13	25	14	0,024
20-5-4	female thread	D	50	M10	22	17	32	14	0,04
20-5-5	female thread	D	63	M12	26	21	40	18	0,08
20-6-1	female thread	K	25	M5	12	8	16	10	0,008
20-6-2	female thread	K	32	M6	14	10	20	10	0,01
20-6-3	female thread	K	40	M8	18	13	25	14	0,024
20-6-4	female thread	K	50	M10	22	17	32	14	0,04
20-6-5	female thread	K	63	M12	26	21	40	18	0,08

Order No.	Version	Form	D1	D6	D8	H3	H4	L	Approx. weight kg
20-7-1	male thread	L	25	M5	12	8	16	20	0,012
20-7-2	male thread	L	32	M6	14	10	20	20	0,0113
20-7-3	male thread	L	32	M6	14	10	20	30	0,0131
20-7-4	male thread	L	40	M8	18	13	25	20	0,0229

Overview of items

Order No.	Version	Form	D1	D6	D8	H3	H4	L	Approx. weight kg
20-7-5	male thread	L	40	M8	18	13	25	25	0,0222
20-7-6	male thread	L	40	M8	18	13	25	30	0,0258
20-7-7	male thread	L	40	M8	18	13	25	40	0,0291
20-7-8	male thread	L	50	M10	22	17	32	25	0,041
20-7-9	male thread	L	50	M10	22	17	32	30	0,042
20-7-10	male thread	L	50	M10	22	17	32	40	0,045
20-7-11	male thread	L	50	M10	22	17	32	60	0,09