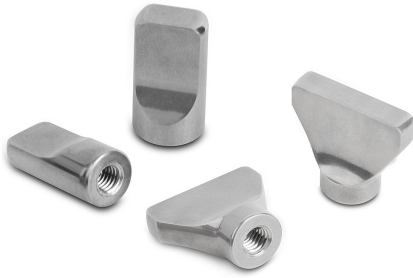


Item description/product images
 

---


**Description**
**Material:**

Steel parts stainless steel 1.4404.

Surface high-gloss polished.

**Note:**

The wing nut makes simple screw connections feasible. They can be easily opened or re-tightened without tools.

The complete surface is polished with a surface finish of less than Ra 0.8 µm. The contour is rounded with smooth transitions. Due to the polished surface dirt and residue from products or cleaners seldom adheres. Easy cleaning is ensured.

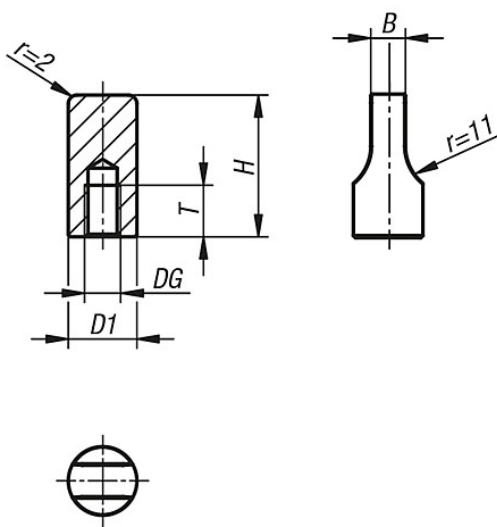
**On request:**

Inch threads, external threads.

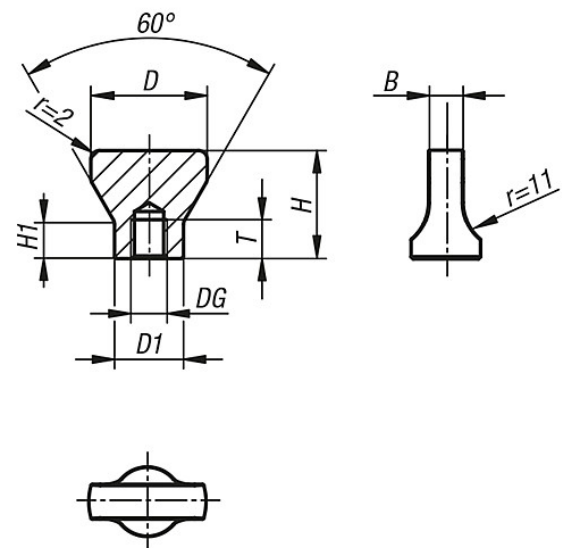
 Drawings
 

---

narrow



wide


 Overview of items
 

---

Order No.	Version	DG	D	D1	H	H1	B	T
20-67-1	narrow	M4	-	9	20	-	4,5	6
20-67-2	narrow	M5	-	10	22	-	4,5	6
20-67-3	narrow	M6	-	12	22	-	5,5	7
20-67-4	narrow	M8	-	16	25	-	8	9
20-67-5	narrow	M10	-	20	30	-	10	11
20-68-1	wide	M4	20	9	20	5	4,5	6
20-68-2	wide	M5	22	10	22	5,9	4,5	6
20-68-3	wide	M6	25	12	22	5	5,5	7
20-68-4	wide	M8	27	16	25	8,5	8	9
20-68-5	wide	M10	30	20	30	10	10	11

Overview of items

---