

Item description/product images



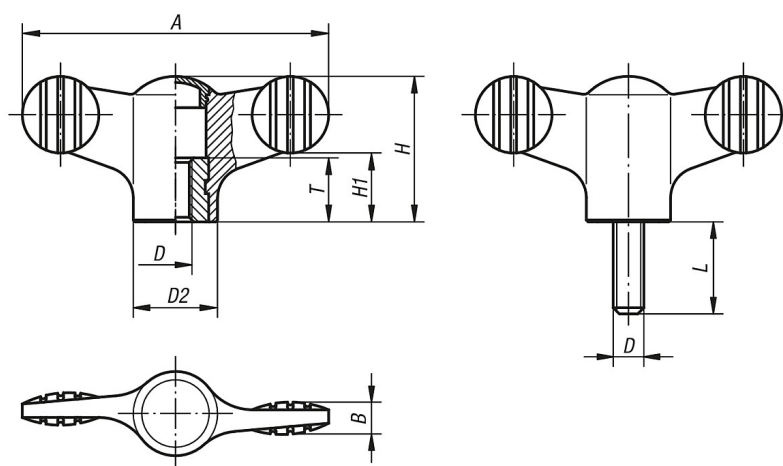
Description

Material, version:

Black grey thermoplastic.

Bush and threaded pin stainless steel 1.4305, bright.

Drawings



Overview of items

Order No.	Version	D	D2	A	B	H	H1	T	Approx. weight kg
20-22-5	female thread	M4	12	38	4,5	18	8,5	10	0,007
20-22-6	female thread	M5	12	38	4,5	18	8,5	10	0,007
20-22-7	female thread	M6	12	38	4,5	18	8,5	10	0,007
20-22-1	female thread	M5	14	50	5	24	11,5	10	0,011
20-22-2	female thread	M6	14	50	5	24	11,5	10	0,011
20-22-3	female thread	M8	21	75	7	35,6	16,5	14	0,029
20-22-4	female thread	M10	21	75	7	35,6	16,5	14	0,025

Order No.	Version	D	D2	A	B	H	H1	L
20-23-16	male thread	M4	12	38	4,5	18	8,5	10
20-23-17	male thread	M4	12	38	4,5	18	8,5	15
20-23-18	male thread	M5	12	38	4,5	18	8,5	15
20-23-19	male thread	M5	12	38	4,5	18	8,5	20
20-23-20	male thread	M5	12	38	4,5	18	8,5	30
20-23-21	male thread	M6	12	38	4,5	18	8,5	20
20-23-22	male thread	M6	12	38	4,5	18	8,5	30
20-23-23	male thread	M6	12	38	4,5	18	8,5	40
20-23-1	male thread	M5	14	50	5	24	11,5	15
20-23-2	male thread	M5	14	50	5	24	11,5	20
20-23-3	male thread	M6	14	50	5	24	11,5	20
20-23-4	male thread	M6	14	50	5	24	11,5	30
20-23-5	male thread	M6	14	50	5	24	11,5	40
20-23-6	male thread	M8	14	50	5	24	11,5	20
20-23-7	male thread	M8	14	50	5	24	11,5	30

Overview of items

Order No.	Version	D	D2	A	B	H	H1	L
20-23-8	male thread	M8	14	50	5	24	11,5	40
20-23-9	male thread	M8	21	75	7	35,6	16,5	20
20-23-10	male thread	M8	21	75	7	35,6	16,5	30
20-23-11	male thread	M8	21	75	7	35,6	16,5	40
20-23-12	male thread	M10	21	75	7	35,6	16,5	20
20-23-13	male thread	M10	21	75	7	35,6	16,5	30
20-23-14	male thread	M10	21	75	7	35,6	16,5	40
20-23-15	male thread	M10	21	75	7	35,6	16,5	50