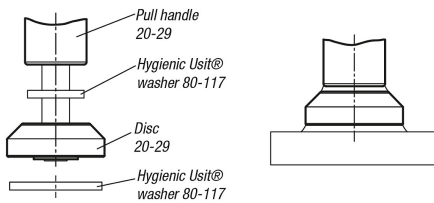


Item description/product images



Mounting example:



Description

Material:

Steel parts stainless steel 1.4404.

Surface high-gloss polished.

Note:

Solid pull handles, polished overall to a high gloss. The resulting surface finish of less than Ra 0.8 µm allows residue from products or cleaners to seldom adhere. This, together with the large radii make the handle extremely easy to clean.

Through the optionally available support disc, the contact surface i.e. the transferable force is considerably increased.

Screwing on directly or using the intermediate support disc is carried out using the Hygienic USIT® sealing washer from Freudenberg Process Seals. The as normal time-consuming welding of the handle, grinding and polishing the weld is not required. All fastening points and the screw-on surface are hygienically handled.

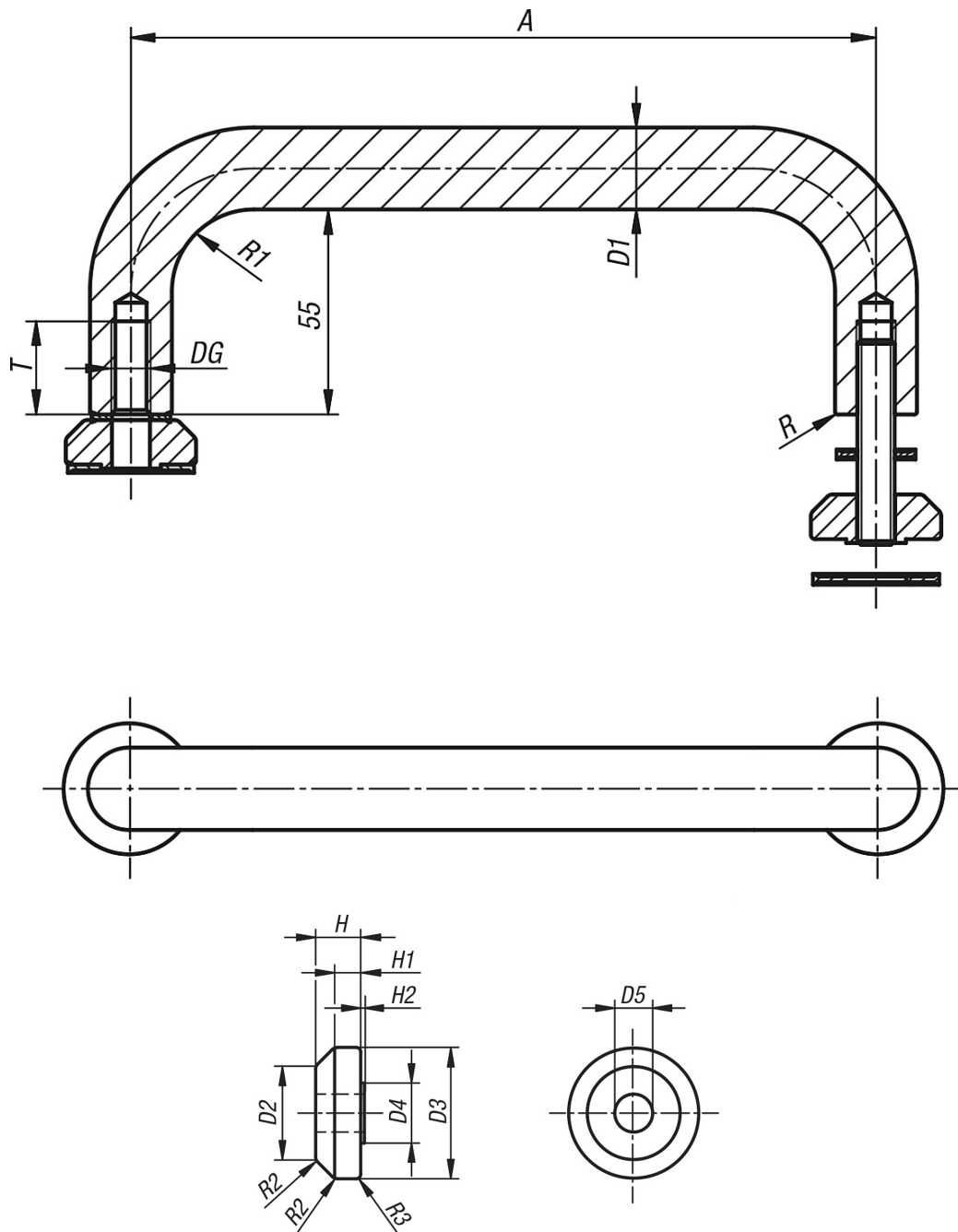
On request:

External threads, inch threads, longer and higher versions.

Accessory:

Hygienic Usit® sealing and shim washer 80-117 for the screw-on surface and the support disc.

Drawings



Overview of items

Order No.	Article description	A	DG	D1	R	R1	T
20-29-40	Pull handle solid version A 120 M5 1.4404 polished	120	M5	11,8	0,5	13	12,5
20-29-41	Pull handle solid version A 200 M5 1.4404 polished	200	M5	11,8	0,5	13	12,5
20-29-42	Pull handle solid version A 300 M5 1.4404 polished	300	M5	11,8	0,5	13	12,5
20-29-43	Pull handle solid version A 120 M6 1.4404 polished	120	M6	14,2	0,55	16	15
20-29-44	Pull handle solid version A 200 M6 1.4404 polished	200	M6	14,2	0,55	16	15
20-29-45	Pull handle solid version A 300 M6 1.4404 polished	300	M6	14,2	0,55	16	15
20-29-46	Pull handle solid version A 120 M8 1.4404 polished	120	M8	18	0,6	19	20
20-29-47	Pull handle solid version A 200 M8 1.4404 polished	200	M8	18	0,6	19	20
20-29-48	Pull handle solid version A 300 M8 1.4404 polished	300	M8	18	0,6	19	20

Overview of items

Order No.	Article description	A	DG	D1	R	R1	T
20-29-49	Pull handle solid version A 120 M10 1.4404 polished	120	M10	22,3	0,75	23,5	25
20-29-50	Pull handle solid version A 200 M10 1.4404 polished	200	M10	22,3	0,75	23,5	25
20-29-51	Pull handle solid version A 300 M10 1.4404 polished	300	M10	22,3	0,75	23,5	25

Order No.	Article description	DG	D2	D3	D4	D5	H	H1	H2	R2	R3
20-29-400	Washer Ø 5.2/13.5/18 1.4404 polished	M5	13,5	18	8	5,2	6	3,5	0,7	1,5	0,6
20-29-401	Washer Ø 6.2/15.7/22.3 1.4404 polished	M6	15,7	22,3	10	6,2	8	4,8	0,7	1,5	0,75
20-29-402	Washer Ø 8.2/20/26.6 1.4404 polished	M8	20	26,6	12	8,2	10	6,7	1	2	0,9
20-29-403	Washer Ø 10.2/24.3/35 1.4404 polished	M10	24,3	35	16	10,2	12	7	1	2	1,2