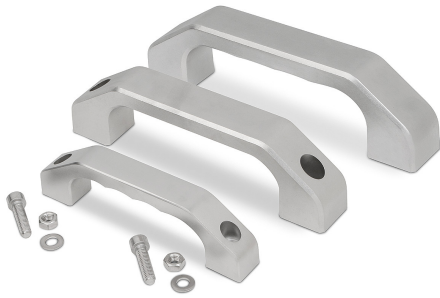


Item description/product images


Description
Material:

Investment cast stainless 1.4308.

Fasteners 1.4301.

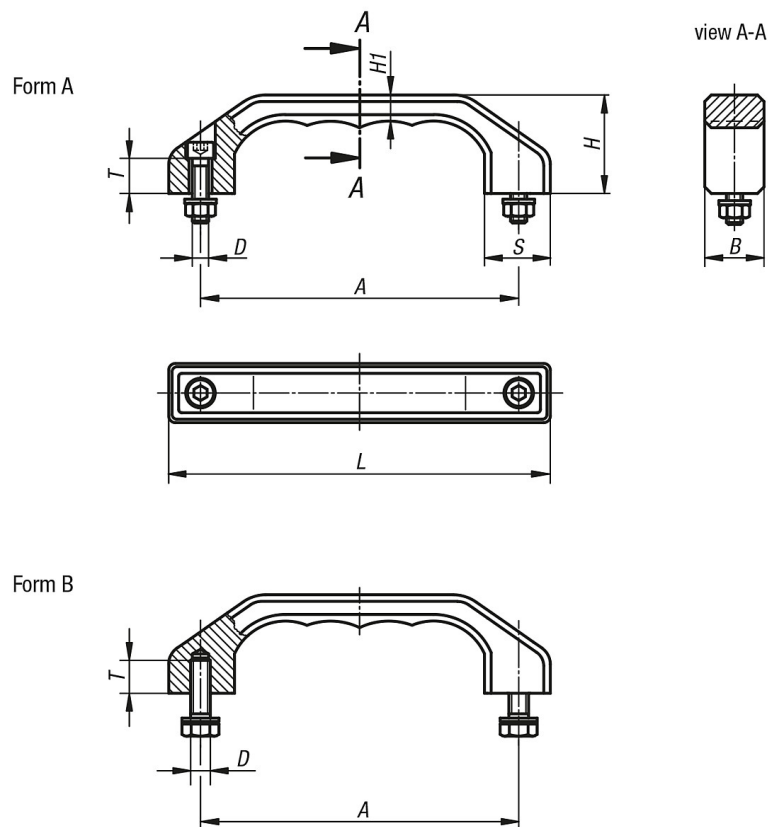
Version:

 abrasive cleaned and
 matt-gloss electropolished

Note:

Stainless steel pull handles are used mainly in the food industry and medical, laboratory and nuclear technology. Designed for heaviest loading and high chemical and corrosion resistance.

 Drawings


 Overview of items

Order No.	Form	A	B	D	H	H1	L	S	T	Load capacity N
20-25-1	A	140	25	M8x30	45	12	170	28	15	1000
20-25-2	A	180	32	M10x40	58	15	218	36	18	1000
20-26-1	B	140	25	M8x18	45	12	170	28	15	1000
20-26-2	B	180	32	M10x20	58	15	218	36	18	1000

Overview of items
