

Item description/product images

---

**Description****Material:**

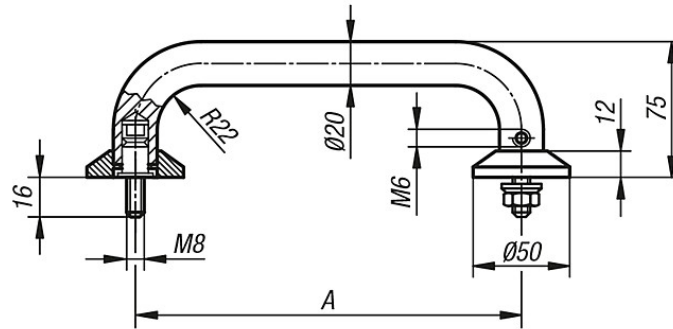
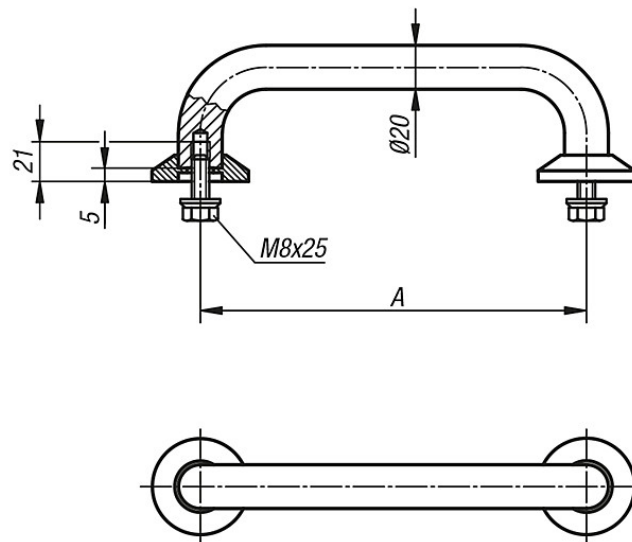
Handle stainless 1.4305

Fasteners 1.4301

**Version:**Ground and  
semi-gloss brushed.**Note:**

Stainless steel pull handles are used mainly in the food industry and medical, laboratory and nuclear technology. Designed for heaviest loading and high chemical and corrosion resistance.

## Drawings

Form A  
front mountedForm B  
rear mounted

## Overview of items

Order No.	Form	A	Load capacity N
20-29-1	A	200	1000
20-29-2	A	250	1000
20-29-3	B	200	1000
20-29-4	B	250	1000