

Item description/product images

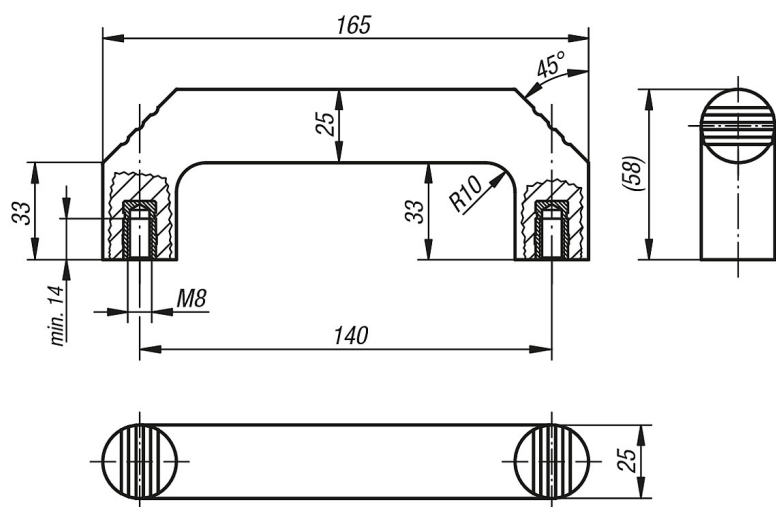


Description

Material:
Duroplastic PF 31, black.
Bushing brass.

Version:
High-gloss polished.

Drawings



Overview of items

Order No.	Bush material	Load capacity N	Approx. weight kg
20-47-1	Messing	500	0,18