

Item description/product images



Description

Material:

Tube and fasteners stainless 1.4301.

Legs fine cast 1.4581.

Version:

Tube fine ground.

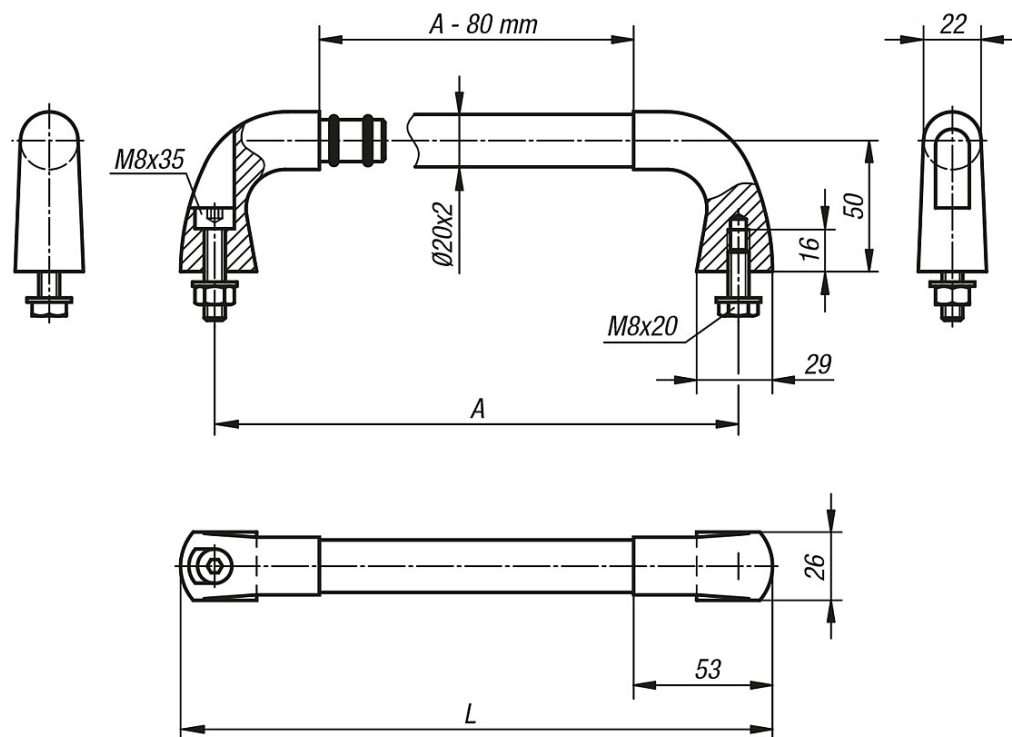
Legs semi-gloss electropolished.

Note:

Socket head screws,
nuts and washers are
supplied with Form A.

Hex head screws and
washers are supplied
with Form B.

Drawings

Form B
rear mountedForm A
front mounted

Overview of items

Order No.	Form	A	L	Load capacity N
20-37-1	A	200	226	1.000
20-37-2	A	300	326	1.000
20-37-3	A	400	426	1.000
20-37-4	B	200	226	1.000
20-37-5	B	300	326	1.000
20-37-6	B	400	426	1.000