

Item description/product images



Description

Material:

Stainless steel 1.4305.

Version:

Stainless steel fasteners.

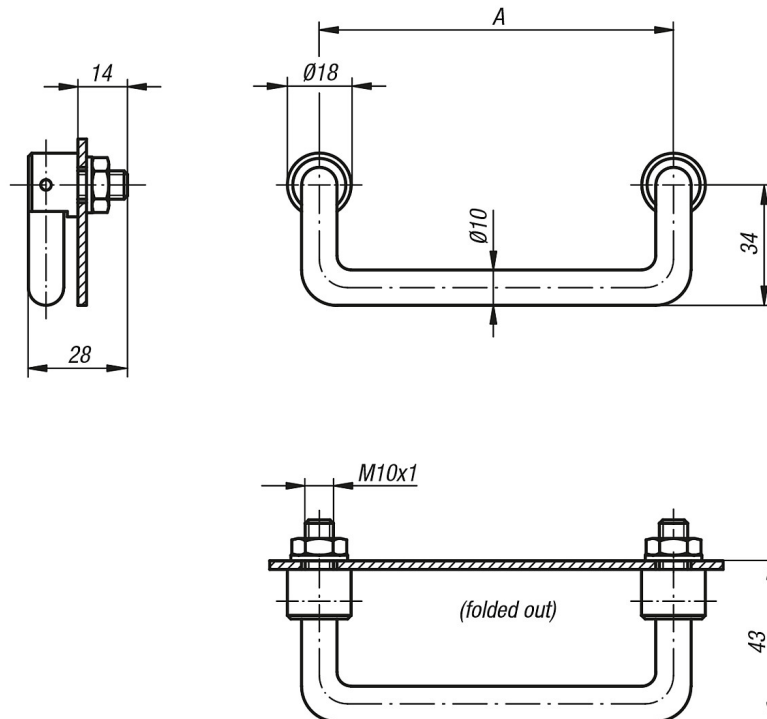
Spring locking in both end positions.

Fine ground semi-gloss finish.

Note:

Stainless steel pull handles are used mainly in the food industry and medical, laboratory and nuclear technology. Designed for heaviest loading and high chemical and corrosion resistance.

Drawings



Overview of items

Order No.	A	Load capacity N
20-30-1	100	500
20-30-2	120	500
20-30-3	180	500