

Item description/product images

---

**Description****Material:**

Stainless steel 1.4301.

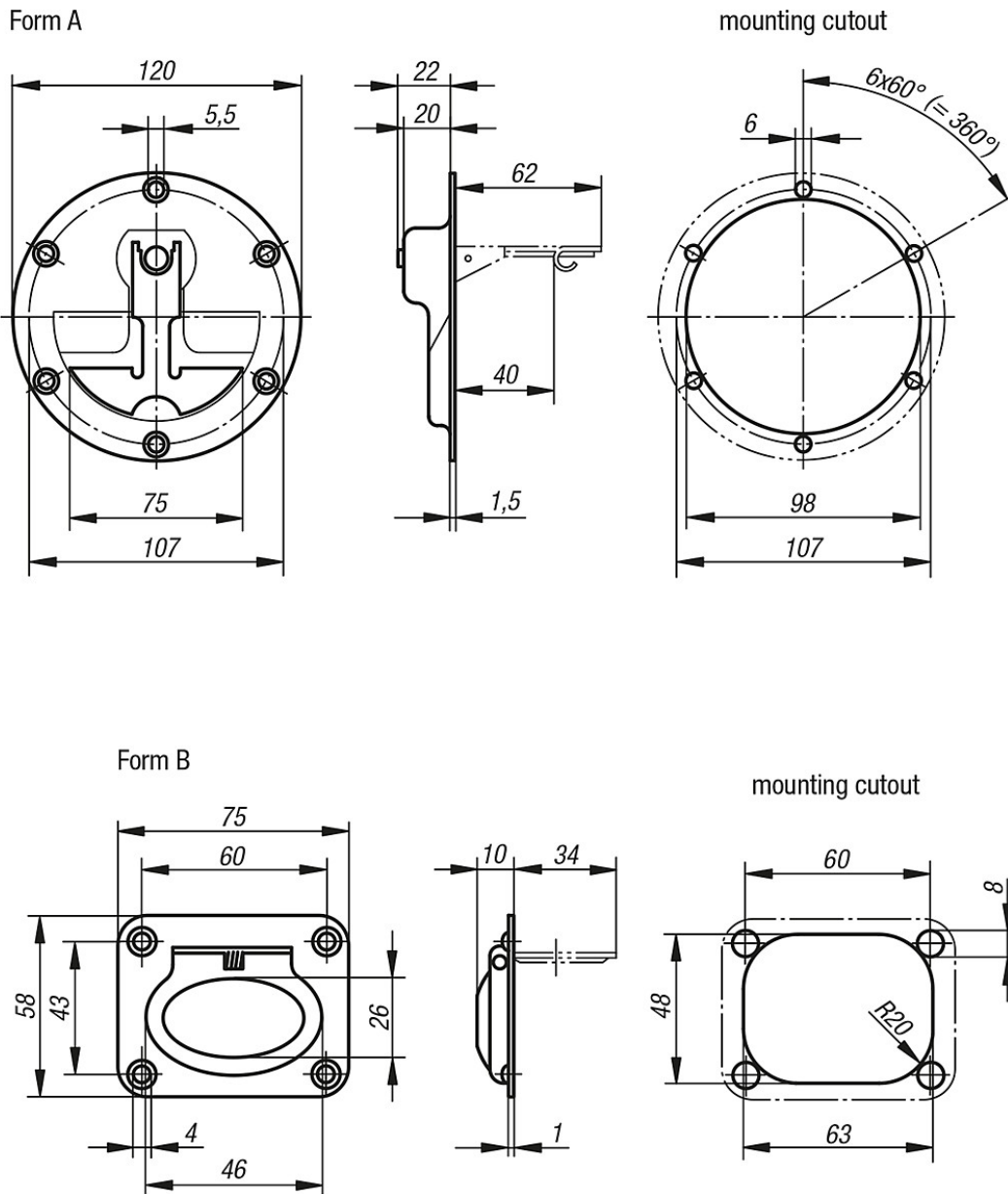
**Version:**

High-gloss electropolished.

**Note:**

Flush laying stainless steel handle with return spring. After use the handle automatically folds back flush with the frame. For trapdoors, inspection hatches or drawers.

Drawings



Overview of items

Order No.	Form	Load capacity N
20-41-1	A	200
20-41-2	B	200