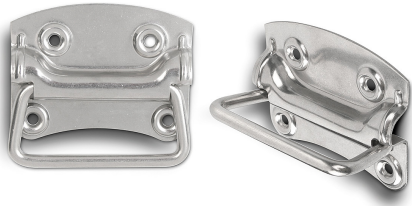


20-36

Crate handle DIN 3136

Item description/product images



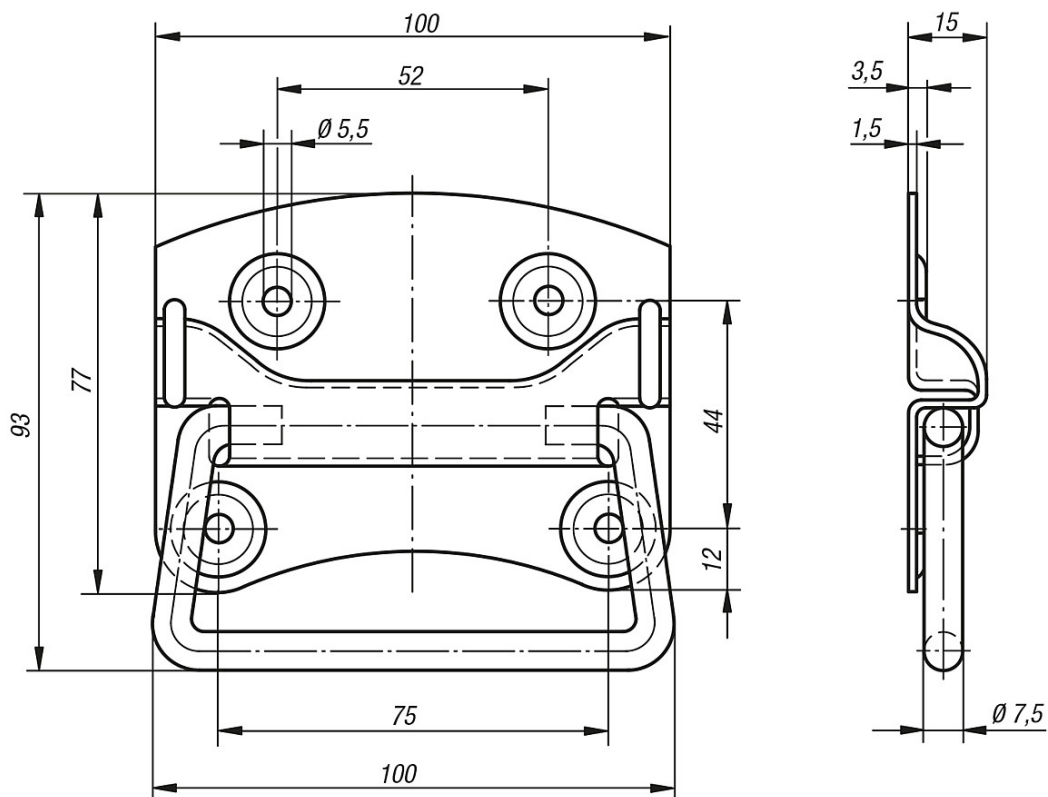
Description

Material:
Stainless steel 1.4301.

Version:
Bright.

Applications:
Crates, chests, lids.

Drawings



Overview of items

Order No.	Dimensions	Load capacity N
20-36-1	see drawing	500