

## Item description/product images



## Description

**Material:**

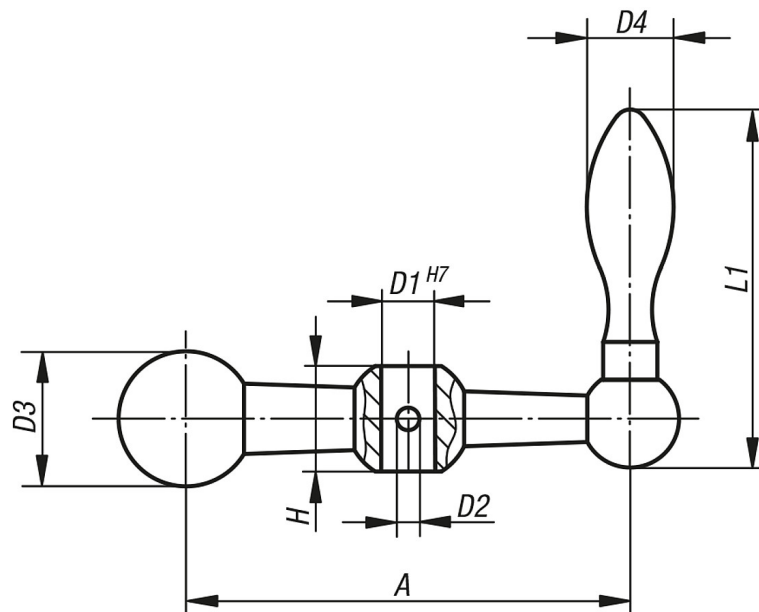
Stainless steel 1.4301.

**Version:**

polished

**Note:**Handle end is fixed,  
similar to DIN 39.

## Drawings



## Overview of items

Order No.	A	D1	D2	D3	D4	H	L1
20-45-1	50.8	8	3	20.6	16	11.1	54
20-45-2	63.5	8	3	25.4	16	14.3	64
20-45-3	79.3	10	4	32	21	17.5	82
20-45-4	101.6	10	4	32	21	17.5	82
20-45-5	127	12	5	37	25	22	103
20-45-6	155.6	12	5	38.1	25	22	103