

Item description/product images



Description

Material:

Fibreglass reinforced plastic housing.

Version:

Watertight.

Values acquired according to the gravity principle.

Note:

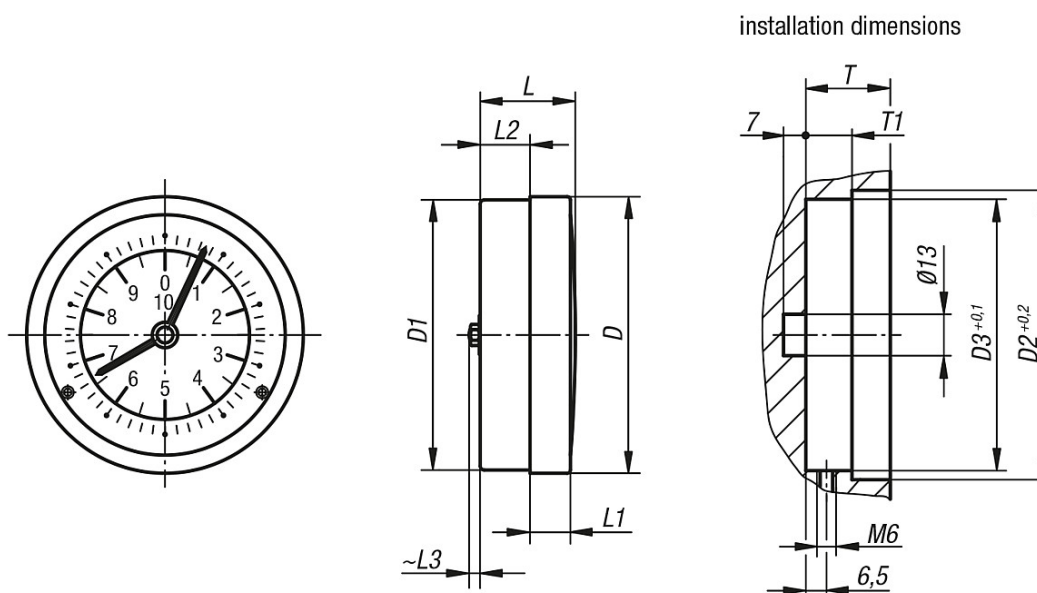
Position indicators, which are designed for use on horizontal spindles, are meant for installation in handwheels. They allow direct readout of set measurement values such as lengths, flow rates, number of rotations etc, at a glance. The measurement values are acquired according to the gravity principle. The transmission ratio indicates how many spindle rotations (black pointer) are necessary for one rotation of the smaller red pointer. While the longer black pointer indicates the rotational movement of the spindle 1:1 (i.e. 1 spindle rotation = 1 pointer rotation) the smaller red pointer travels only a fraction of a rotation defined by the given transmission ratio.

For a suitable hand wheel see Art. No. 20-48-1.

On request:

Other transmission ratio's.

Drawings



Overview of items

| Order No. | Size | D | D1 | D2 | D3 | L | L1 | L2 | L3 | T | T1 | Suitable for | Transmission ratio |
|-----------|------|------|------|----|------|------|------|------|-----|----|------|----------------------------|--------------------|
| 20-49-1 | 50 | 51,7 | 50,2 | 52 | 50,5 | 29,2 | 11,5 | 14,7 | 4,2 | 24 | 12,3 | Position Indicator size 50 | 1:2 |
| 20-49-2 | 50 | 51,7 | 50,2 | 52 | 50,5 | 29,2 | 11,5 | 14,7 | 4,2 | 24 | 12,3 | Position Indicator size 50 | 1:12 |
| 20-49-3 | 50 | 51,7 | 50,2 | 52 | 50,5 | 29,2 | 11,5 | 14,7 | 4,2 | 24 | 12,3 | Position Indicator size 50 | 1:24 |
| 20-49-4 | 50 | 51,7 | 50,2 | 52 | 50,5 | 29,2 | 11,5 | 14,7 | 4,2 | 24 | 12,3 | Position Indicator size 50 | 1:48 |

Overview of items

| Order No. | Size | D | D1 | D2 | D3 | L | L1 | L2 | L3 | T | T1 | Suitable for | Transmission ratio |
|----------------|------|------|------|----|------|------|------|------|----|------|------|----------------------------|--------------------|
| 20-49-5 | 80 | 86,8 | 84,2 | 87 | 85,2 | 29,8 | 12,7 | 15,6 | 5 | 26,5 | 14,5 | Position Indicator size 80 | 1:2 |
| 20-49-6 | 80 | 86,8 | 84,2 | 87 | 85,2 | 29,8 | 12,7 | 15,6 | 5 | 26,5 | 14,5 | Position Indicator size 80 | 1:12 |
| 20-49-7 | 80 | 86,8 | 84,2 | 87 | 85,2 | 29,8 | 12,7 | 15,6 | 5 | 26,5 | 14,5 | Handrad Größe 80 | 1:24 |
| 20-49-8 | 80 | 86,8 | 84,2 | 87 | 85,2 | 29,8 | 12,7 | 15,6 | 5 | 26,5 | 14,5 | Position Indicator size 80 | 1:48 |
| 20-49-9 | 80 | 86,8 | 84,2 | 87 | 85,2 | 29,8 | 12,7 | 15,6 | 5 | 26,5 | 14,5 | Position Indicator size 80 | 1:100 |